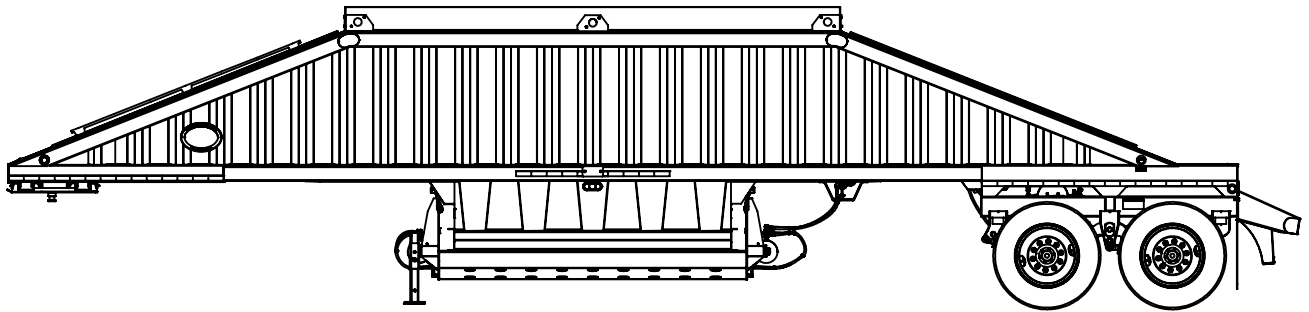


PARTS BOOK



STANDARD "PACK MULE"
BOTTOM DUMP TRAILER

CONSTRUCTION TRAILER SPECIALISTS, INC.

2535 ROSE PARKWAY
SIKESTON, MO 63801
TOLL FREE: 888-669-0003
PH: 573-481-0941
FX: 573-481-0953
E-MAIL: parts@trailerbuilders.com
www.constructiontrailerspecialists.com

Thanks for choosing Construction Trailer Specialists, Inc., we manufacture a line of trailers in a size to fit your needs.

-End dump trailers in Light Weight, Half Round or Elliptical configurations available Frameless, Quarter Frame or Full Frame. Elliptical scrap/demo trailers available in lengths from 22 to 40 ft, with 46-100 inch sides.

-Bottom dump trailers in 32-42 ft lengths, with Low Profile, and Lightweight versions available.

-Grain trailers in 34-42 ft lengths.

-Walking floor trailers

-Side dump trailers

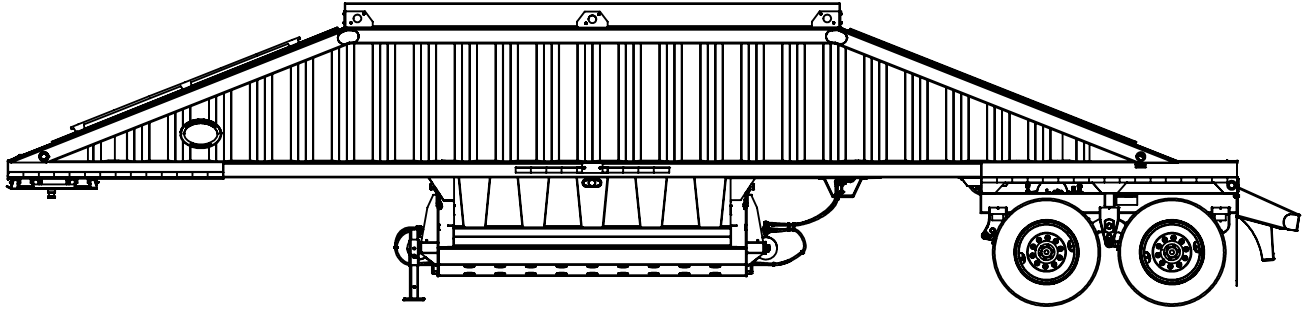
-In addition, we offer a variety of suspension and tarp options to suit your needs.

When ordering parts be sure to have the trailer's vehicle identification number (VIN) at hand so we can be sure to get you the correct parts for your trailer.

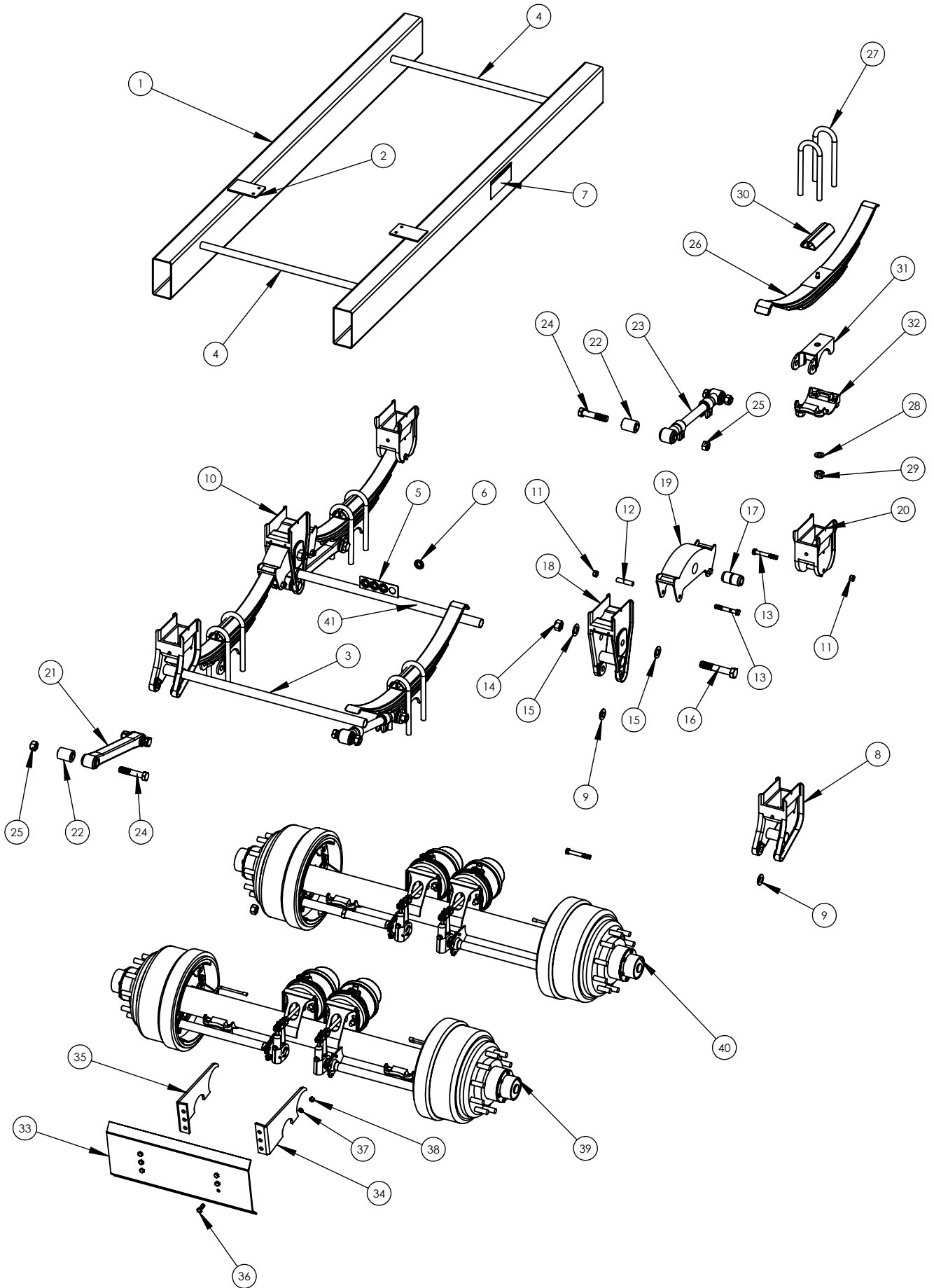
Remember this parts book is for a "standard" trailer, if your trailer is not standard dimensions some parts may not interchange with those listed here, contact the factory if you are unsure.

We will be working on, adding to, and improving this and other parts books in the near future. We welcome any comments or suggestions on how we may make them work better for you. Thanks again!!!

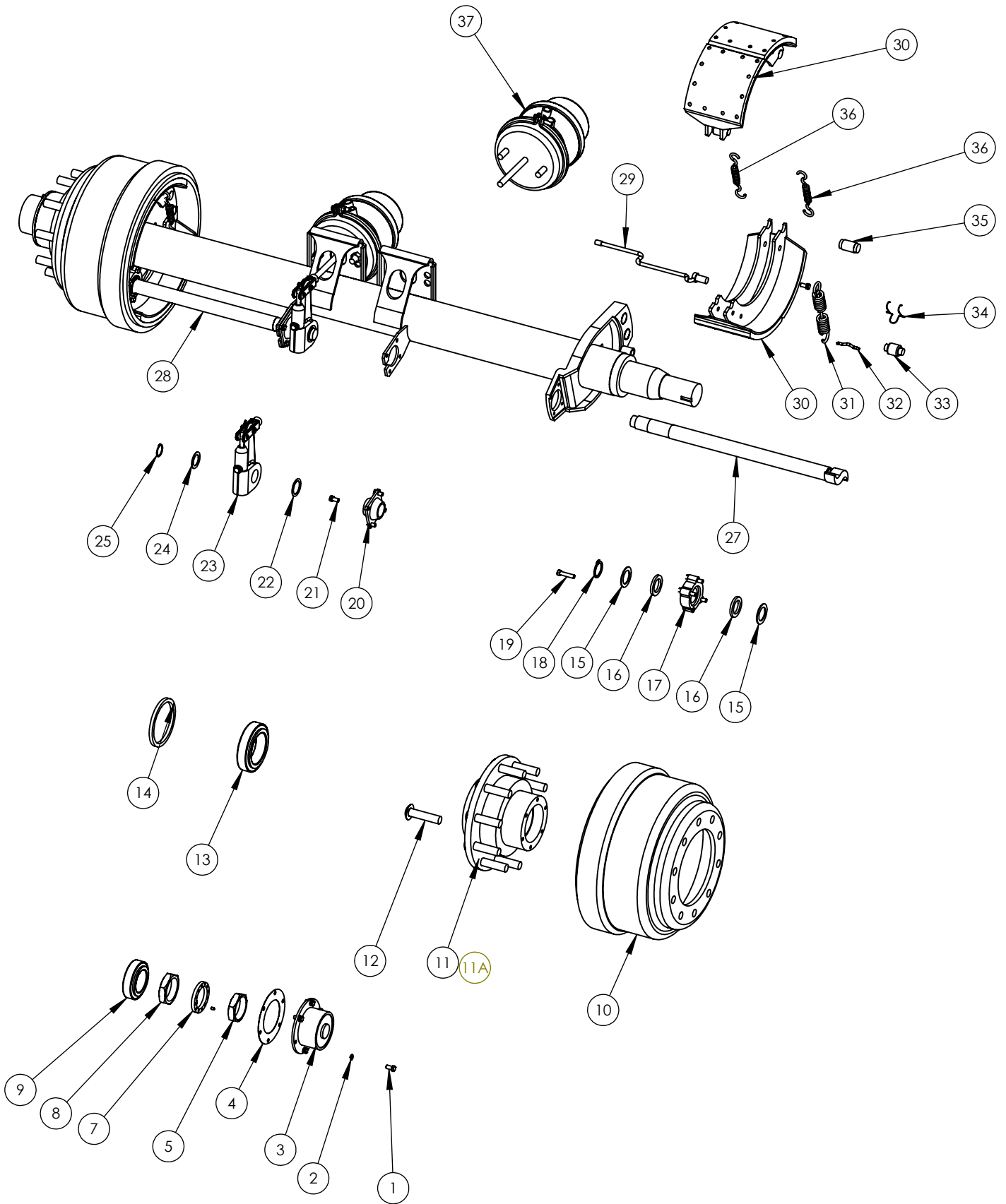
TABLE OF CONTENTS



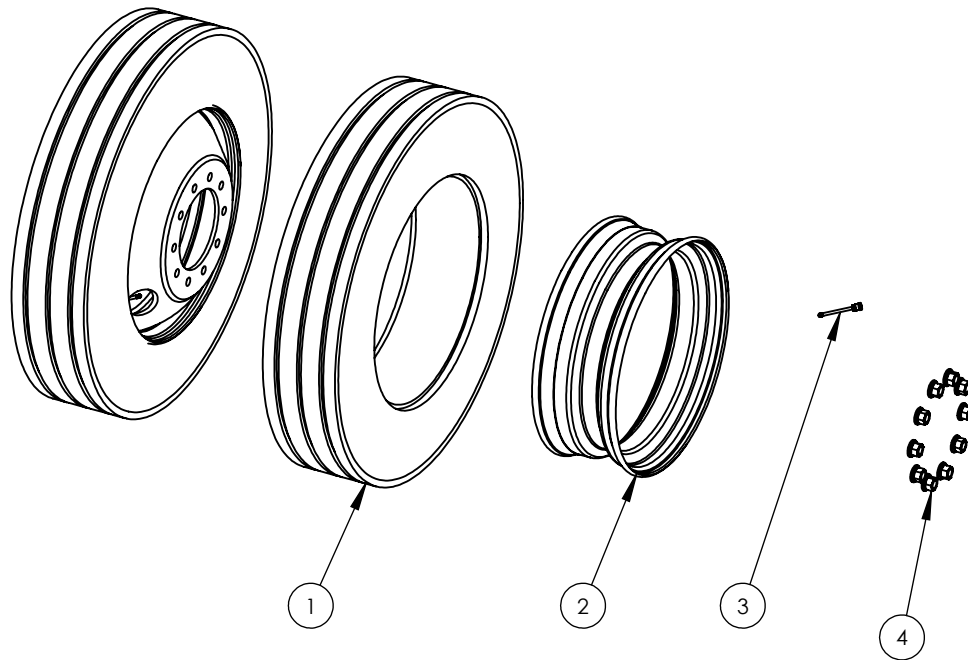
DESCRIPTION	PAGE
SUSPENSION	2-3
AXLES	4-5
WHEELS	6
SIDES	7
REAR BODY STRUCTURE	8-9
HOPPER	10
MISC BODY COMPONENTS	11
EXTERNAL DOOR COMPONENTS	12
LEFT DOOR	13
RIGHT DOOR	14
FIFTH WHEEL	15
WIRING HARNESS	16-17
FRONT END AND DOOR CYLINDER COMPONENTS	18
DOOR VALVE AND AIR TANK	19
BRAKES SYSTEM	20-21
LADDER	22
MUDFLAP	23
DECALS	24
BANG BOARDS	25



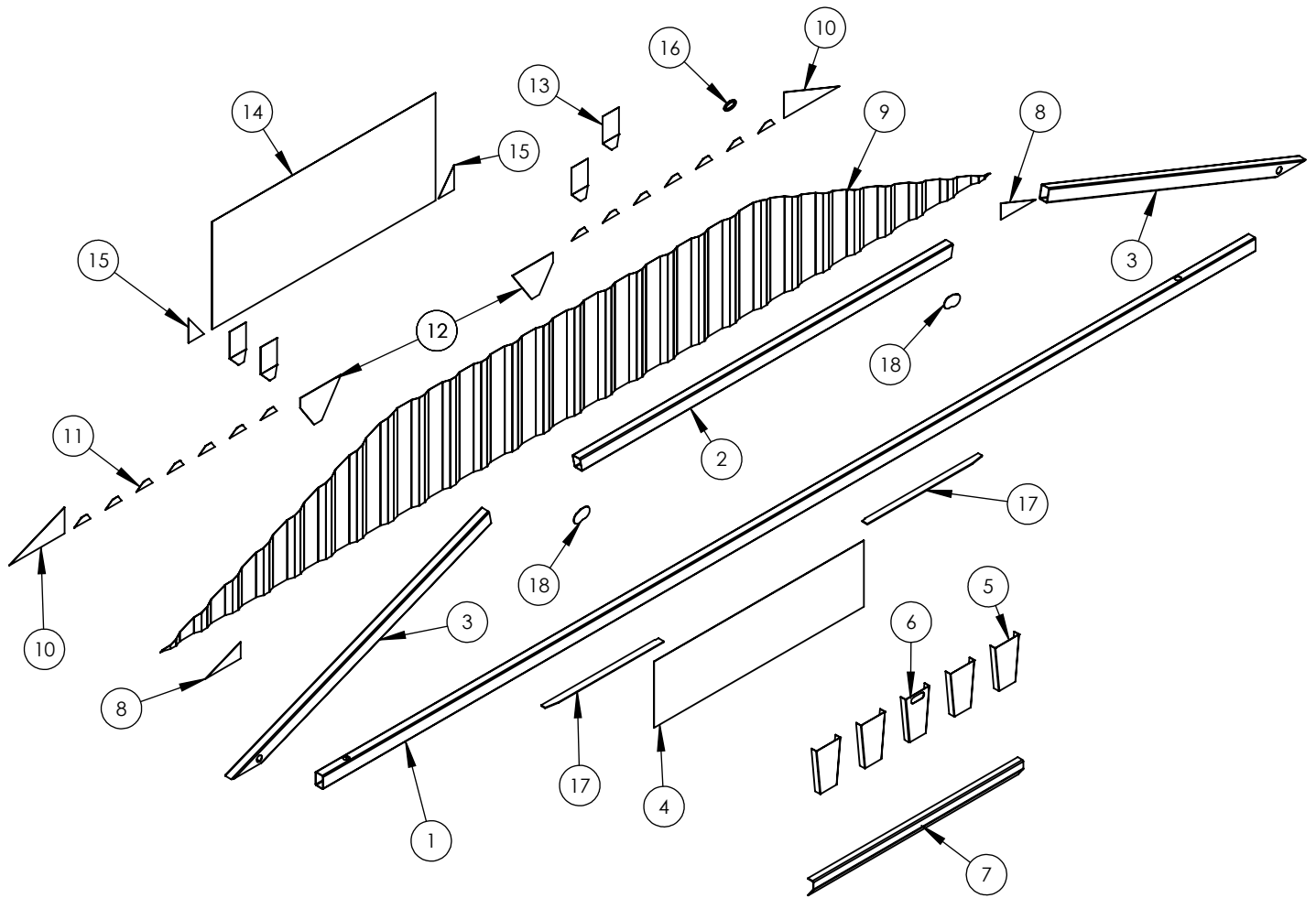
ITEM #	DESCRIPTION	QTY
1	SUSPENSION FRAME TUBE	2
2	AIR TANK MOUNTING PLATE	2
3	HANGER CROSS TUBE	1
4	FRAME RAIL CROSS TUBE	2
5	AIRLINE LOOM	1
6	1" GROMMET	4
7	HUTCH DECAL	1
8	FRONT SPRING HANGER	2
9	REPLACEMENT WASHER FOR FRONT AND ROCKER HANGER	4
10	ROCKER HANGER ASSEMBLY	2
11	NUT, 5/8-18 UNF GRB	6
12	SPACER	6
13	BOLT, 5/8-18 UNF X 4.5" GR2	6
14	LOCKNUT, 1 1/8-7 UNC GR5 (REPLACEMENT)	2
15	WASHER, 1 1/4 ID X 2 1/4 OD X 1/8 THK (REPLACEMENT)	4
16	BOLT, 1 1/8-7 UNC X 6.62" GR5 (REPLACEMENT)	2
17	ROCKER BUSHING	2
18	ROCKER HANGER	2
19	ROCKER	2
20	REAR HANGER	2
21	RADIUS ROD, NON ADJUSTABLE	2
22	RADIUS ROD BUSHING, REPLACEMENT	8
23	RADIUS ROD, ADJUSTABLE	2
24	BOLT, 1"-14 UNS X 5"	8
25	FLANGE LOCKNUT, 1"-14 UNS GRF	8
26	SPRING ASSEMBLY	4
27	U-BOLT, 7/8"	8
28	WASHER, 15/16 ID X 1 3/4 OD X 1/8 THK	16
29	NUT, 7/8-14 UNF	16
30	TOP PLATE	4
31	SPRING SEAT/RADIUS ROD MOUNT	4
32	BOTTOM PLATE	4
33	WINDROW DEFLECTOR PLATE	1
34	WINDROW DEFLECTOR BRACKET LEFT	1
35	WINDROW DEFLECTOR BRACKET RIGHT	1
36	BOLT, 1/2-13 UNC X 1.5"	6
37	LOCK WASHER, 1/2"	6
38	NUT, 1/2-13	6
39	FRONT AXLE	1
40	REAR AXLE	1
41	ROCKER HANGER CROSS TUBE	1



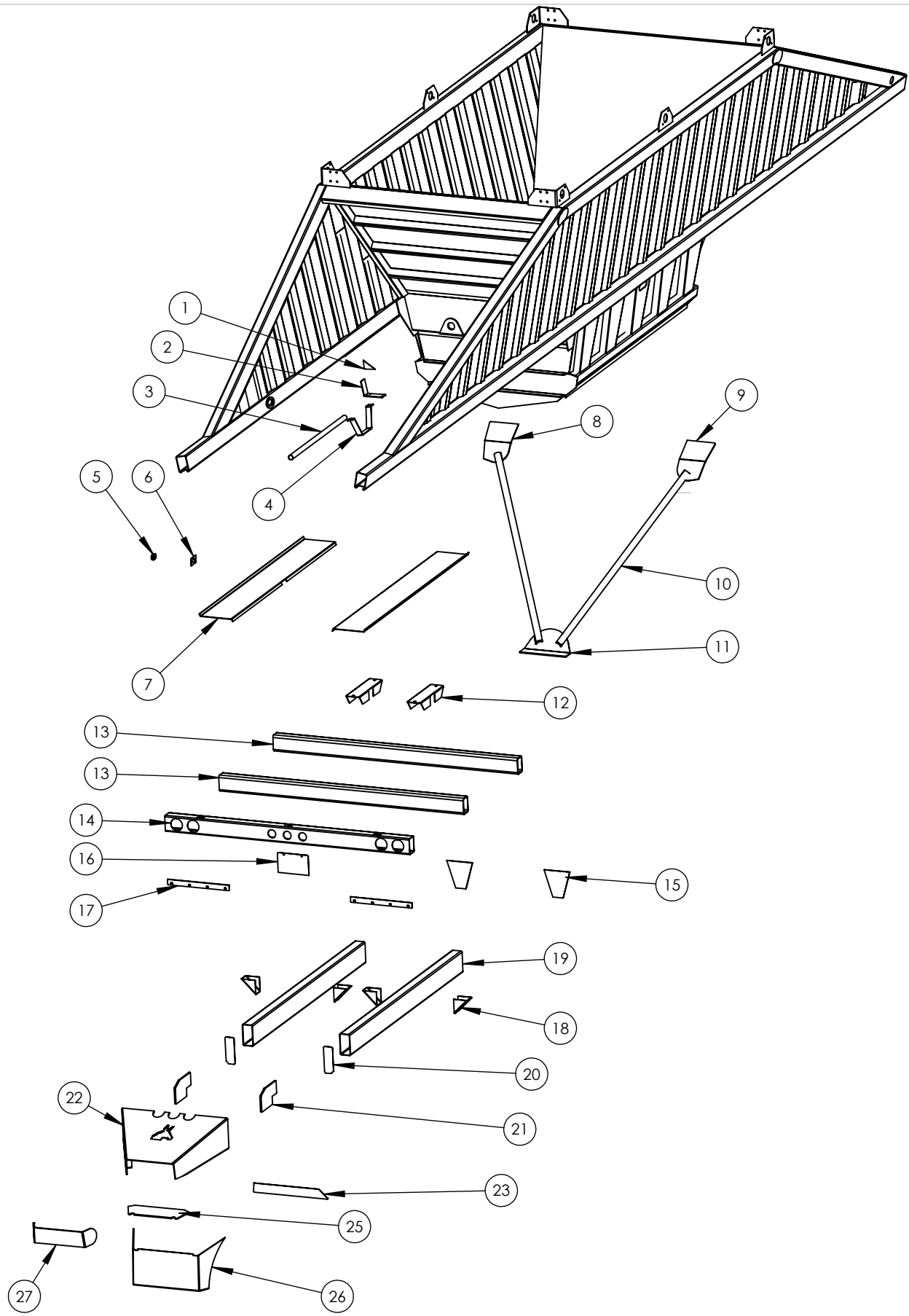
ITEM #	DESCRIPTION	QTY PER AXLE
1	BOLT, 5/16-18 UNC X 3/4"	12
2	LOCK WASHER, 5/16"	12
3	HUBCAP, INCLUDES ITEM 4	2
4	HUBCAP GASKET	2
5	WHEEL BEARING JAM NUT	2
7	WHEEL BEARING LOCK WASHER	2
8	WHEEL BEARING ADJUSTING NUT	2
9	OUTER WHEEL BEARING	2
10	BRAKE DRUM	2
11	HUB WITH ABS TOOTH WHEEL (REAR AXLE ONLY)	2
11A	HUB WITHOUT ABS TOOTH WHEEL (FRONT AXLE ONLY)	2
12	WHEEL STUD	20
13	INNER WHEEL BEARING	2
14	WHEEL BEARING SEAL	2
	CAM BUSHING KIT, ITEMS 15-22, 24, 25	2
15	WASHER	4
16	SEAL	4
17	CAMSHAFT BUSHING, OUTER	2
18	SNAP RING	2
19	BOLT	8
20	CAMSHAFT BUSHING, INNER	2
21	BOLT	8
22	WASHER	2
23	SLACK ADJUSTER ASSEMBLY	2
24	WASHER	2
25	SNAP RING	2
27	CAMSHAFT, LEFT	1
28	CAMSHAFT, RIGHT	1
29	ABS SENSOR (REAR AXLE ONLY)	2
	BRAKE KIT, ITEMS 30-36	2
30	BRAKE SHOE	4
31	BRAKE SHOE RETURN SPRING	2
32	PIN, BRAKE SHOE RETURN SPRING	4
33	BRAKE SHOE ROLLER	4
34	RETAINER, BRAKE SHOE ROLLER	4
35	ANCHOR PIN	4
36	BRAKE SHOE RETAINING SPRING	4
37	AIR CHAMBER	2



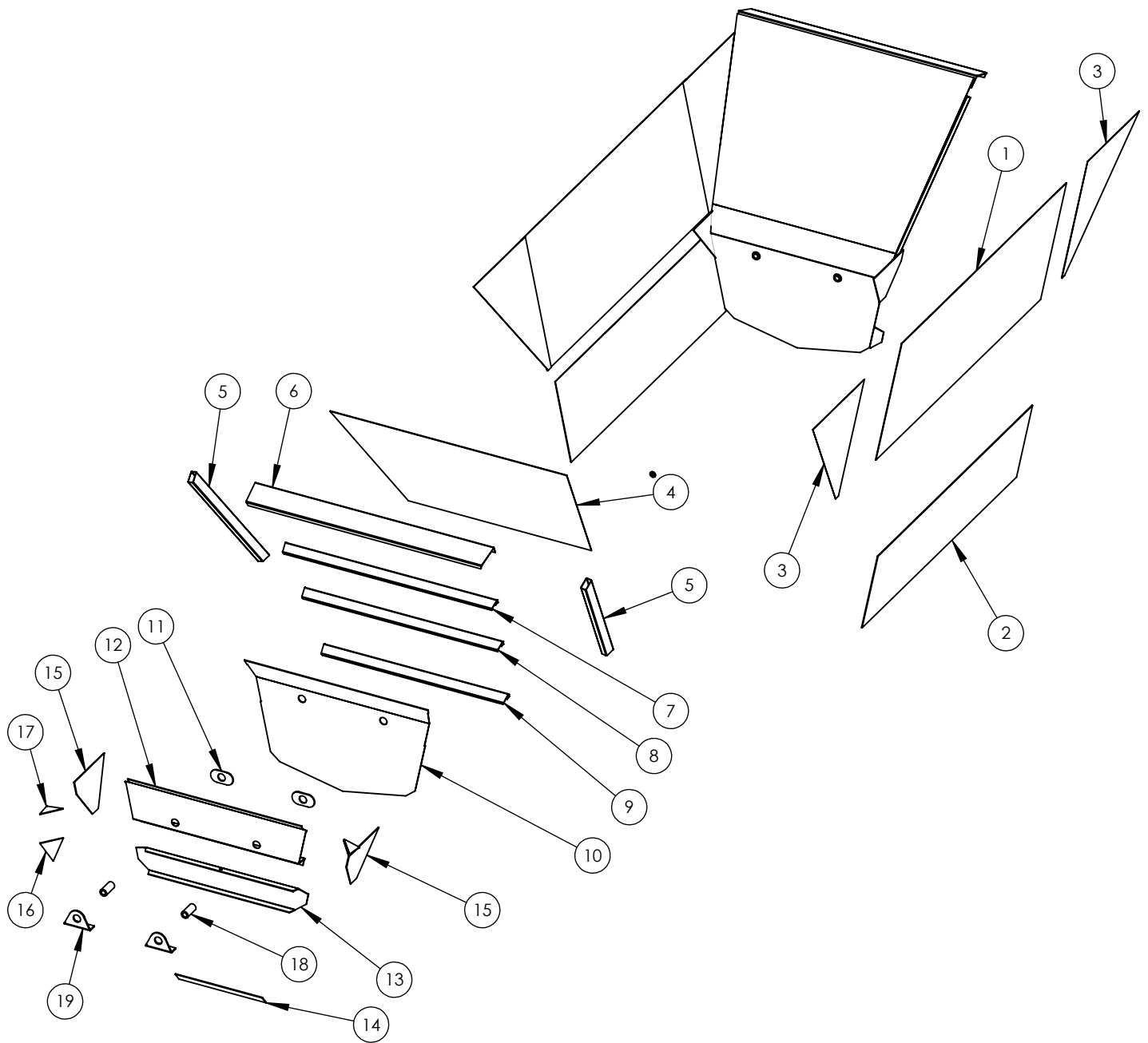
ITEM #	PART #	DESCRIPTION	QTY PER TRAILER
1		TIRE	8
2		RIM	8
3		VALVESTEM	8
4		LUGNUT	40



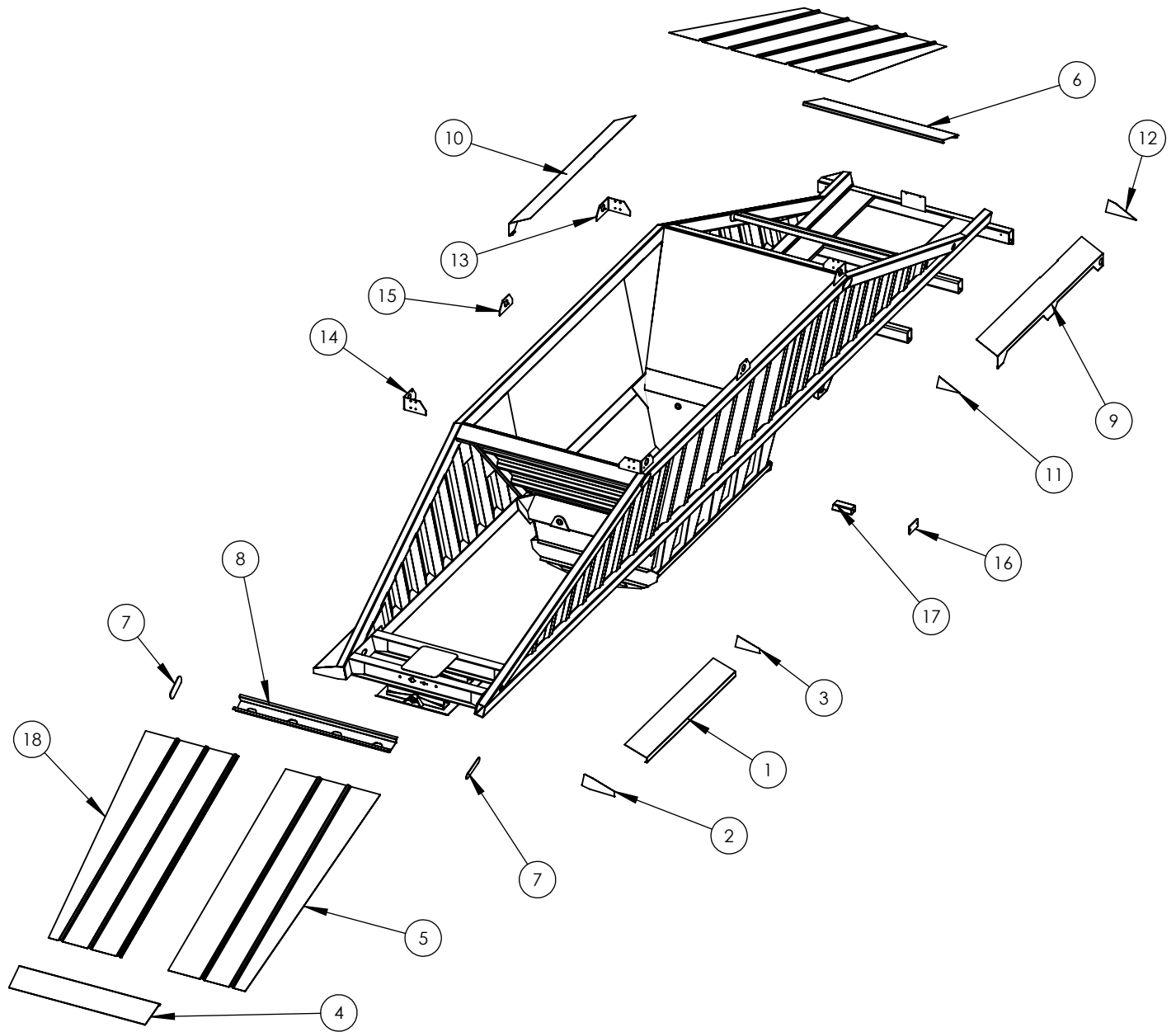
ITEM #	DESCRIPTION	QTY PER SIDE
1	BOTTOM FRAME TUBE	1
2	TOP FRAME TUBE	1
3	FRAME SLOPE TUBE	2
4	LOWER HOPPER SHEET	1
5	HOPPER RIB	4
6	HOPPER RIB WITH LIGHT HOLE	1
7	J-CHANNEL	1
8	OUTSIDE FRAME GUSSET	2
9	CORRUGATION	1
9A	CORRUGATION 48" X 112" (4' X 9'4") PATCH PANEL	
10	INSIDE FRAME GUSSET	2
11	SMALL CORRUGATION GUSSET	14
12	HOPPER GUSSET	2
13	LARGE CORRUGATION GUSSET	4
14	UPPER HOPPER SHEET	1
15	HOPPER SLOPE GUSSET	2
16	OVAL CUTOUT (DRIVERS SIDE ONLY)	1
17	BOTTOM FRAME TUBE REINFORCEMENT	2
18	TOP FRAME TUBE/SLOPE TUBE REINFORCEMENT	2



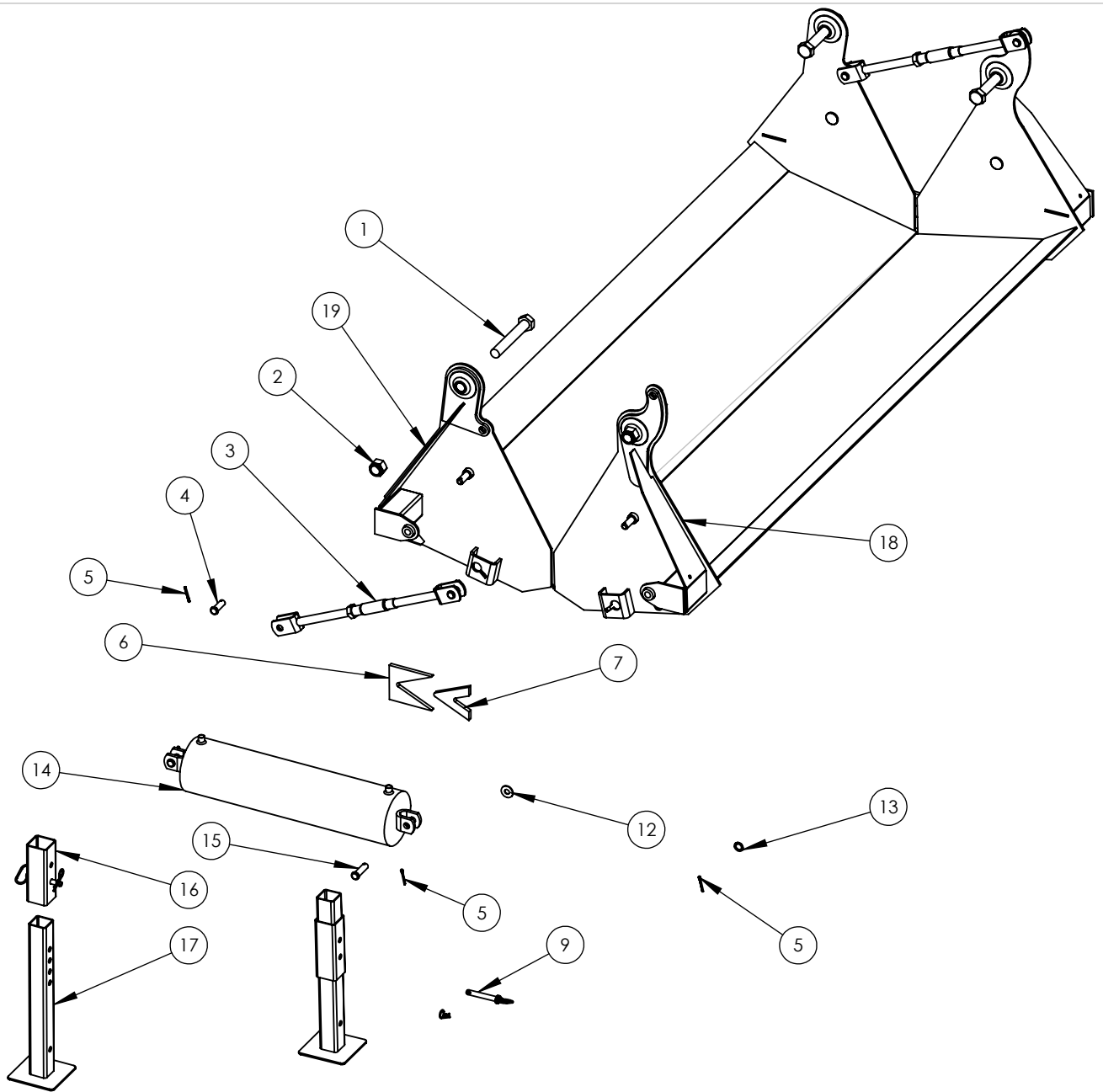
ITEM #	DESCRIPTION	QTY
1	GUSSET, DOOR VALVE BRACKET	1
2	DOOR VALVE BRACKET	1
3	AIRLINE GUARD TUBE	1
4	DOOR VALVE GUARD	1
5	1.5" GROMMET	1
6	AIRLINE LOOM	1
7	INNER FENDER	2
8	V-BRACE BRACKET, TOP LEFT	1
9	V-BRACE BRACKET, TOP RIGHT	1
10	V-BRACE TUBE	2
11	V-BRACE BRACKET, BOTTOM	1
12	AIR TANK BRACKET MOUNT	2
13	SUSPENSION CROSS TUBE	2
14	REAR SUSPENSION CROSS TUBE	1
15	FRONT PLATE, SUSPENSION FRAME TUBE	2
16	LICENSE PLATE BRACKET	1
17	MUDFLAP BRACKET	2
18	SUSPENSION TUBE GUSSET	4
19	SUSPENSION FRAME TUBE	2
20	REAR PLATE, SUSPENSION FRAME TUBE	2
21	PUSH BLOCK SIDE GUSSET	2
22	PUSH BLOCK	1
23	PUSH BLOCK DIRT SHEDDER	1
24	PUSH BLOCK CONNECTOR	1
25	BOTTOM BRACE, PUSH BLOCK	1
26	UNDER RIDE BUMPER	1
27	REAR WRAP, PUSH BLOCK	1



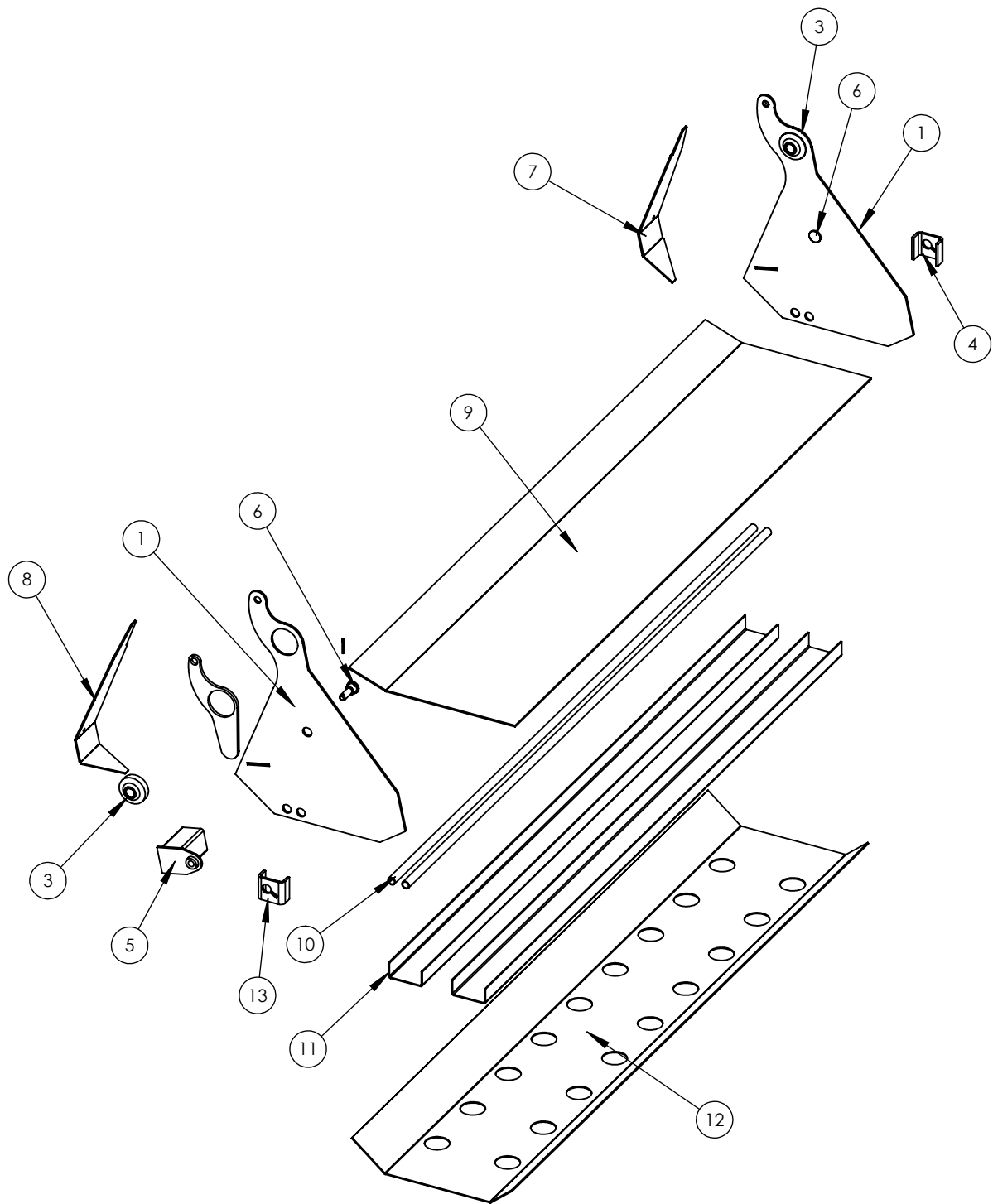
ITEM #	DESCRIPTION	QTY
1	UPPER HOPPER SHEET	2
2	LOWER HOPPER SHEET	2
3	CORNER HOPPER SHEET	4
4	HOPPER SLOPE SHEET	2
5	CROSSMEMBER SIDE TUBE	4
6	TOP CROSSMEMBER	2
7	SECOND CROSSMEMBER	2
8	THIRD CROSSMEMBER	2
9	BOTTOM CROSSMEMBER	2
10	HOPPER END SHEET	2
11	INSIDE DOOR PIN REINFORCEMENT	4
12	OUTSIDE HOPPER SHEET	2
13	HOPPER END CHANNEL	2
14	HOPPER END CHANNEL BRACE	2
15	HOPPER GUSSET	4
16	HOPPER CORNER GUSSET	4
17	HOPPER CORNER GUSSET TOP	4
18	DOOR PIN BUSHING	4
19	OUTSIDE DOOR PIN REINFORCEMENT	4



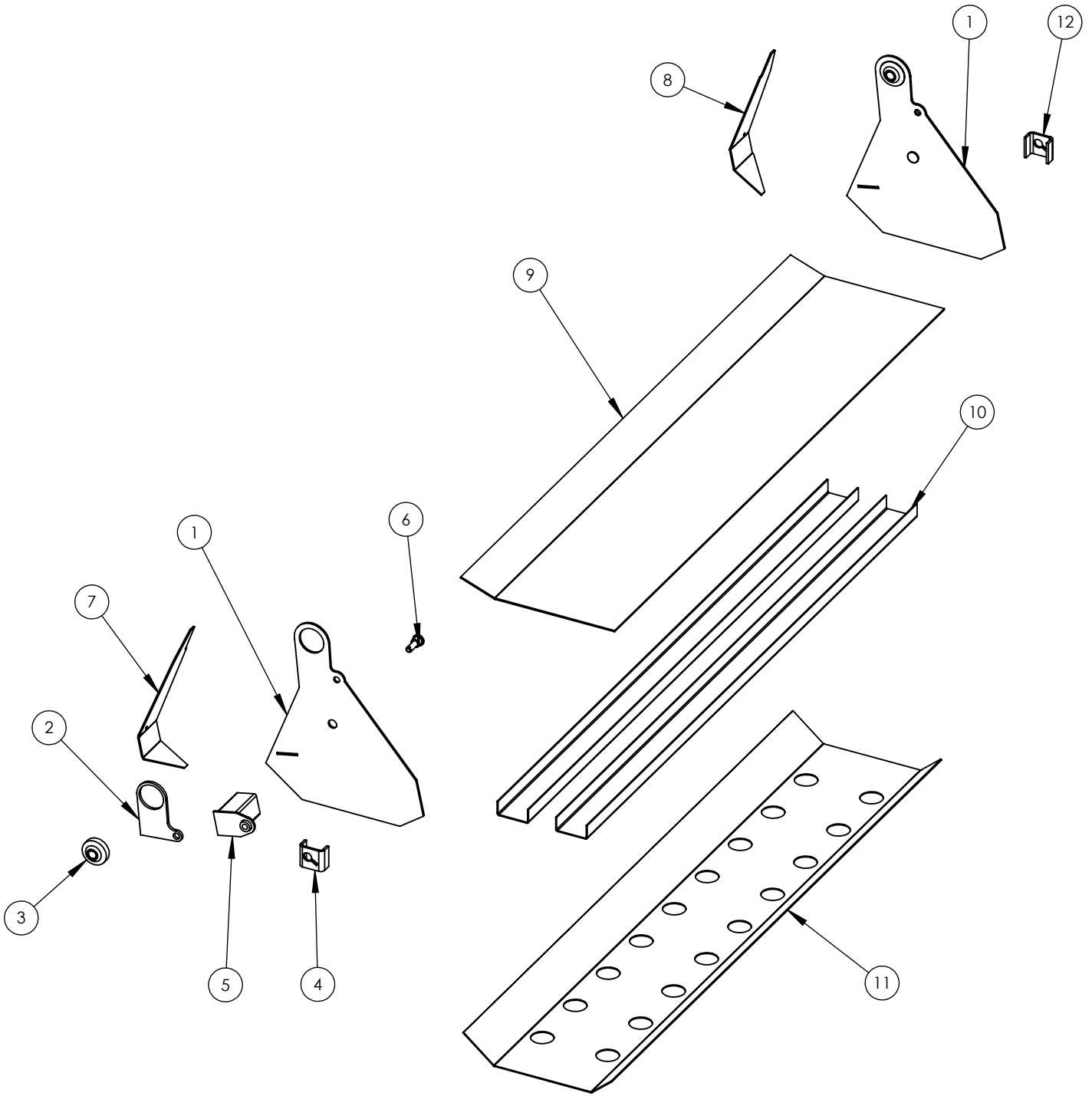
ITEM #	DESCRIPTION	QTY
1	FRONT FENDER	2
2	FRONT CAP, FRONT FENDER	2
3	REAR CAP, FRONT FENDER	2
4	FRONT HEADER	1
5	2 RIB SLOPE SHEET	2
6	REAR HEADER	1
7	SLOPE SHEET BRACE END PLATE	4
8	SLOPE SHEET BRACE CHANNEL	2
9	REAR FENDER, LEFT	1
10	REAR FENDER, RIGHT	1
11	FRONT CAP, REAR FENDER	2
12	REAR CAP, REAR FENDER	2
13	CORNER HOOK/BANGBOARD BRACKET, LEFT	2
14	CORNER HOOK/BANGBOARD BRACKET, RIGHT	2
15	CENTER HOOK/BANGBOARD BRACKET	2
16	TARP BRACKET PLATE	2
17	TARP BRACKET TUBE	2
18	3 RIB SLOPE SHEET	2



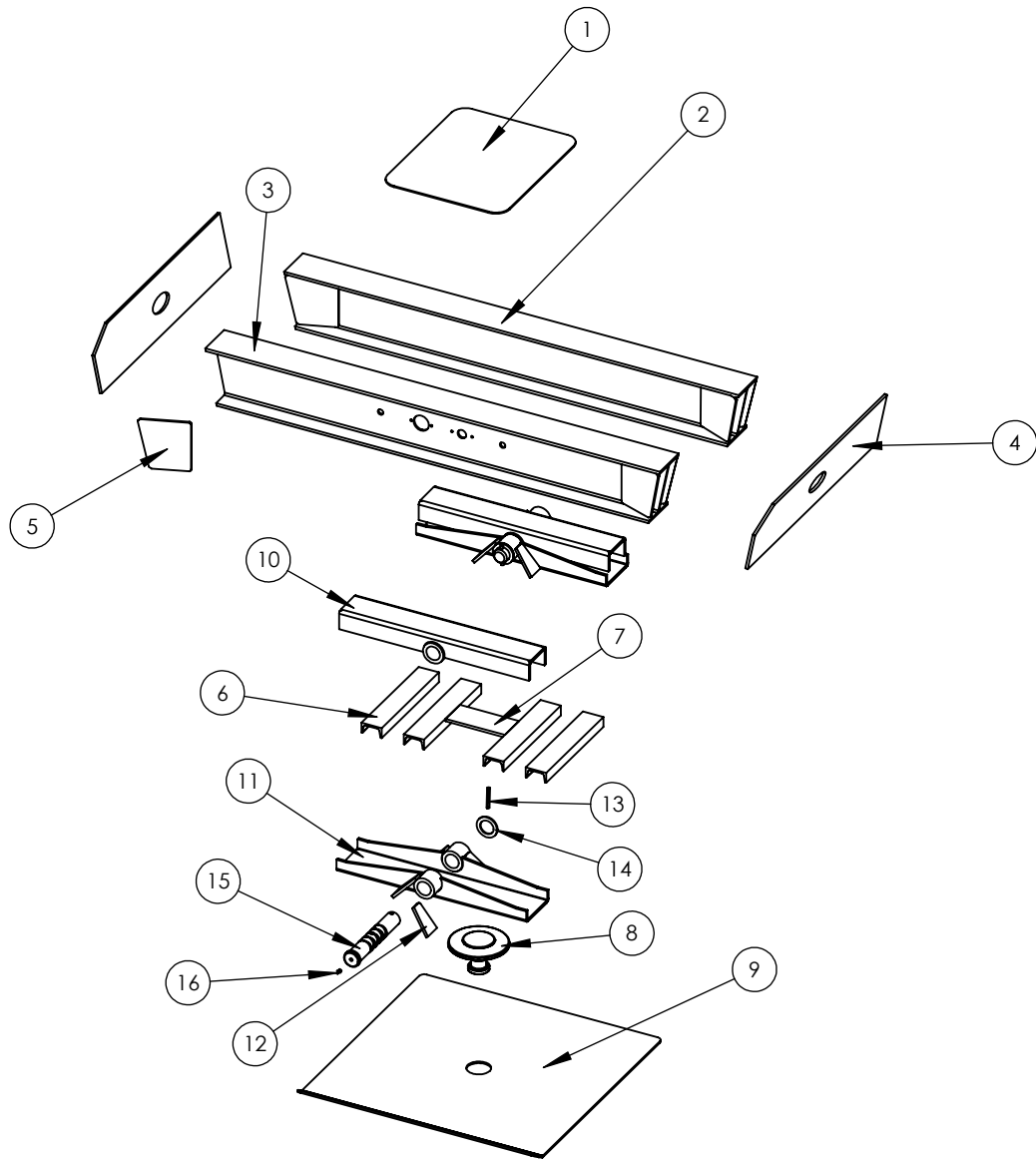
ITEM #	DESCRIPTION	QTY
1	DOOR BOLT 1 1/2"-6 UNC X 10"	4
2	LOCKNUT 1 1/2-6 UNC	4
3	PITCH CONTROL LINK	2
4	PITCH CONTROL LINK PIN	4
5	COTTER PIN 1/4"	12
6	OUTSIDE DOOR ALIGNMENT KEY	2
7	INSIDE DOOR ALIGNMENT KEY	2
8	SLIDELOCK , INCLUDES ITEMS 10, 11, & 12	2
9	LANDING GEAR PIN WITH HAIRPIN	2
10	SLIDELOCK PIN	2
11	HAIRPIN	2
12	WASHER, SLIDELOCK PIN	2
13	WASHER, SLIDELOCK MOUNT	4
14	CYLINDER	2
15	CYLINDER PIN	4
16	LANDING GEAR TUBE	2
17	LANDING GEAR FOOT	2
18	LEFT DOOR	1
19	RIGHT DOOR	1



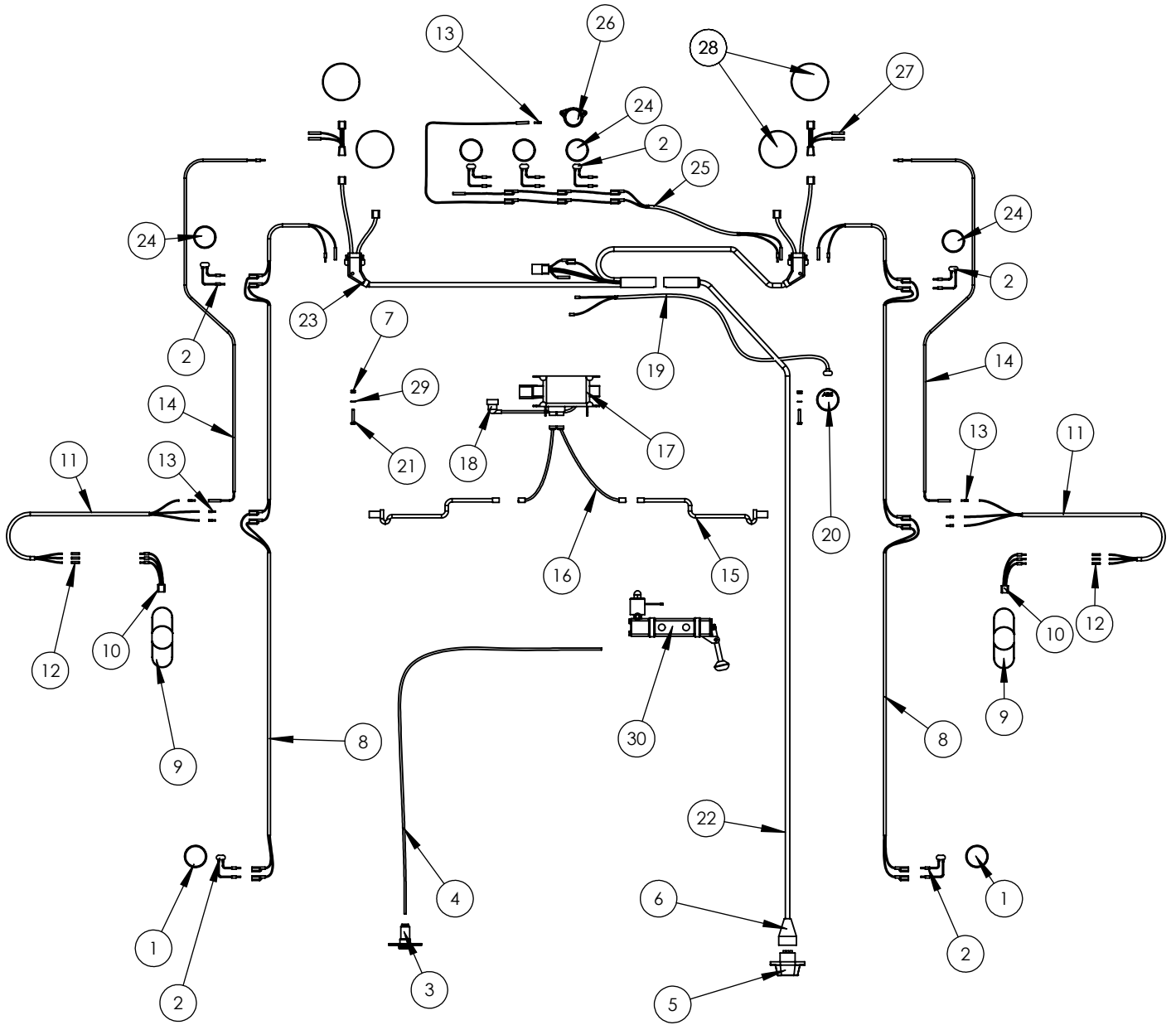
ITEM #	PART #	DESCRIPTION	QTY
1	MFG0009	LEFT DOOR END	2
2	MFG0006	LEFT DOOR END BEARING REINFORCEMENT	2
3	MIC5987	BEARING	2
4	MFG0004	CHAIN LOCK, LEFT HAND	1
5	ASY5001	CYLINDER MOUNT	2
6	MICMC0004	SLIDELOCK MOUNTING PIN	2
7	MFG0010	DOOR END GUSSET, LEFT HAND	1
8	MFG0011	DOOREND GUSSET, RIGHT HAND	1
9	MFG0012	INNER DOOR SKIN	1
10	MFG0015	DOOR AIRLINE GUARD TUBE	2
11	MFG0014	DOOR CHANNEL	2
12	MFG0013	OUTER DOOR SKIN	1
13	MFG0005	CHAIN LOCK, RIGHT HAND	1



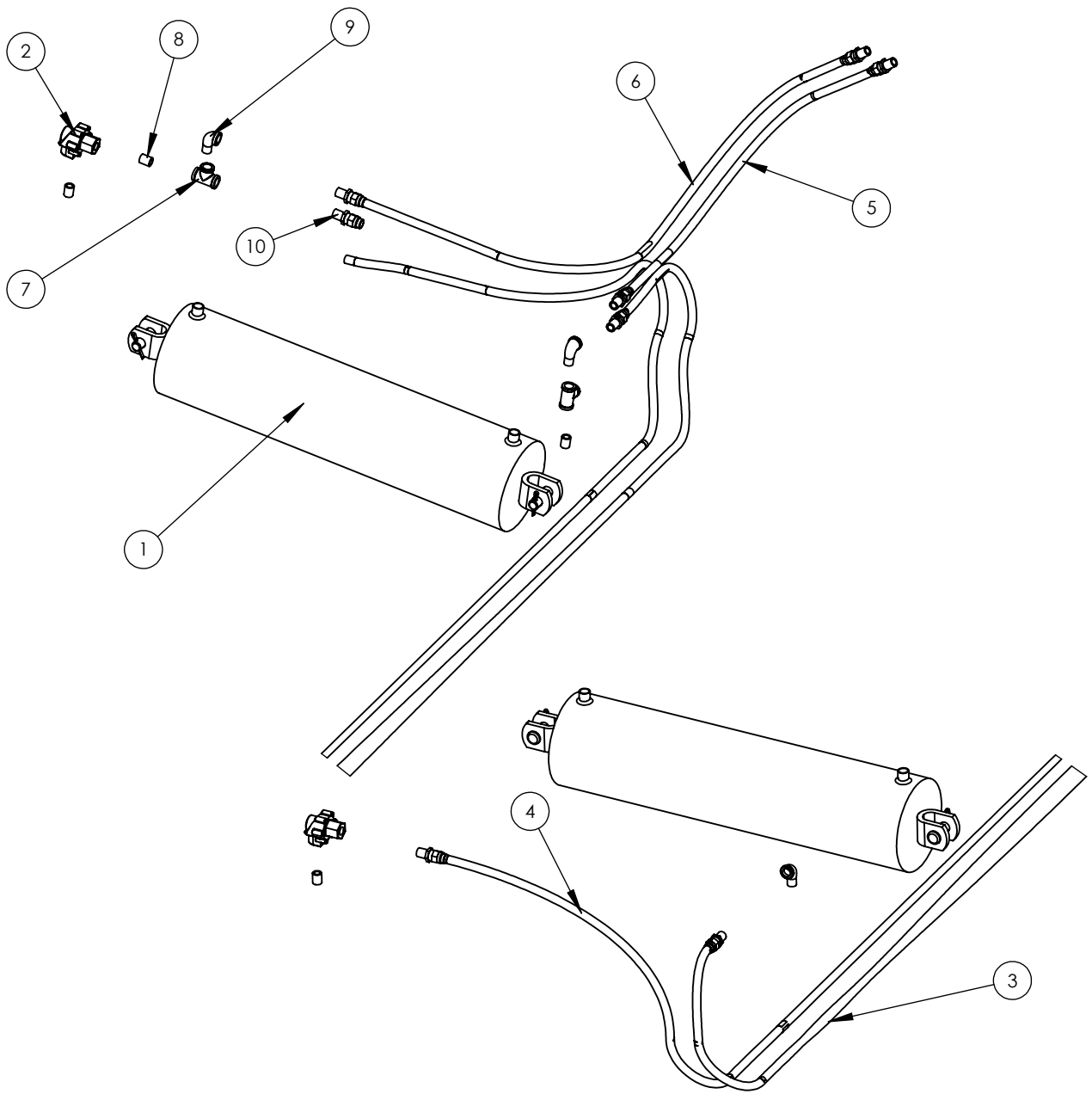
ITEM #	DESCRIPTION	QTY
1	RIGHT DOOR END	2
2	RIGHT DOOR BEARING REINFORCEMENT	2
3	BEARING	2
4	CHAIN LOCK, RIGHT HAND	1
5	CYLINDER MOUNT	2
6	SLIDELOCK MOUNTING PIN	2
7	DOOR END GUSSET RIGHT HAND	1
8	DOOR END GUSSET LEFT HAND	1
9	INNER DOOR SKIN	1
10	DOOR CHANNEL	2
11	OUTER DOOR SKIN	1
12	CHAIN LOCK, LEFT HAND	1



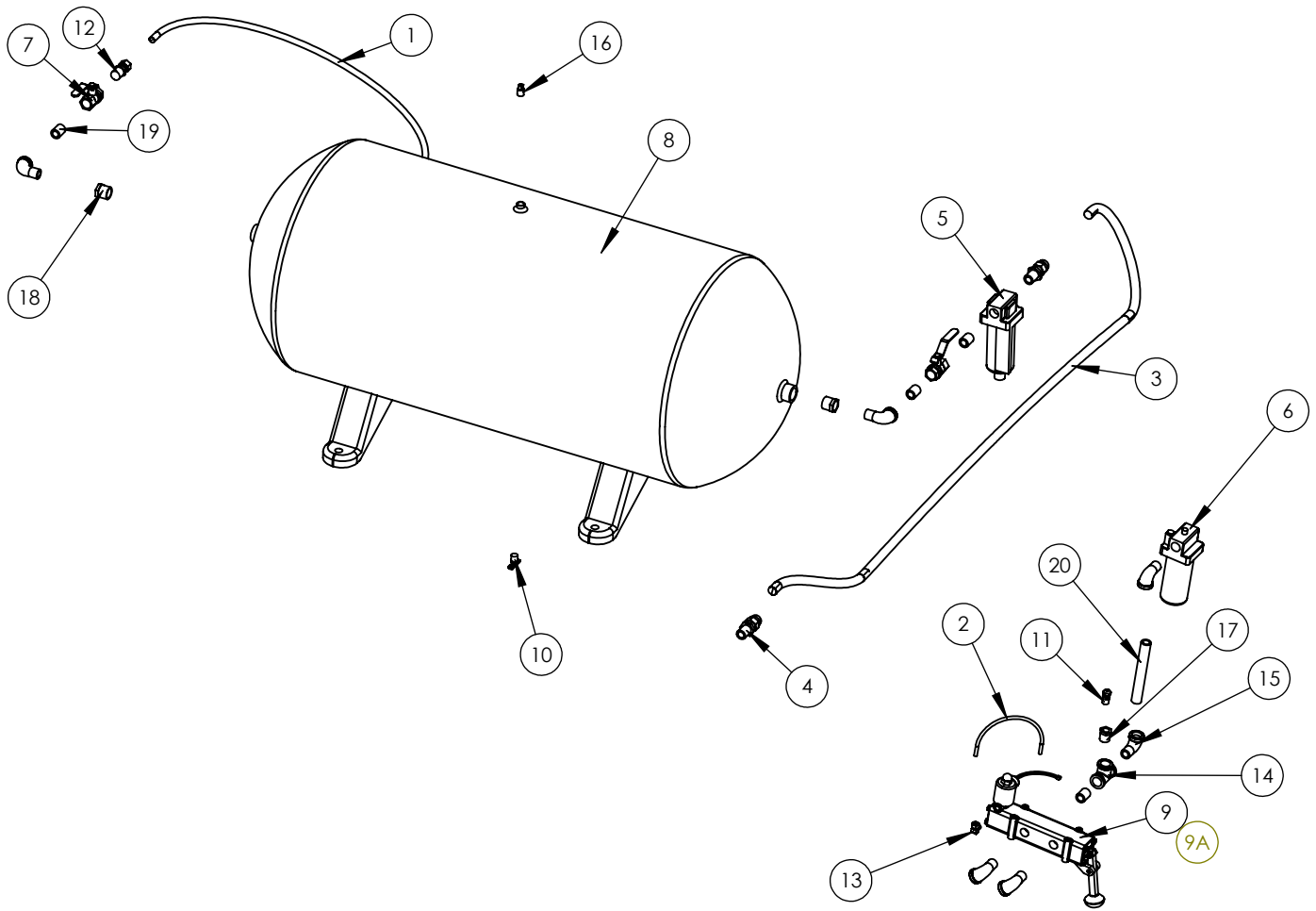
ITEM #	DESCRIPTION	QTY
1	TOP PLATE	1
2	REAR I-BEAM	1
3	FRONT I-BEAM	1
4	SIDE PLATE, LEFT	2
5	I-BEAM GUSSET	8
6	CHANNEL	4
7	CHANNEL PLATE	1
8	KING PIN	1
9	5TH WHEEL PLATE	1
10	UPPER ROCKER WITH BUSHINGS	2
11	LOWER ROCKER WITH BUSHINGS	2
12	ROCKER GUSSET	8
13	ROLL PIN .375 DIA. X 3"	2
14	WASHER 2"ID X 3"OD X .125 THK	2
15	ROCKER PIN	2
16	GREASE FITTING	2
17	REPLACEMENT 5TH WHEEL ASSEMBLY, ITEMS 6-16	



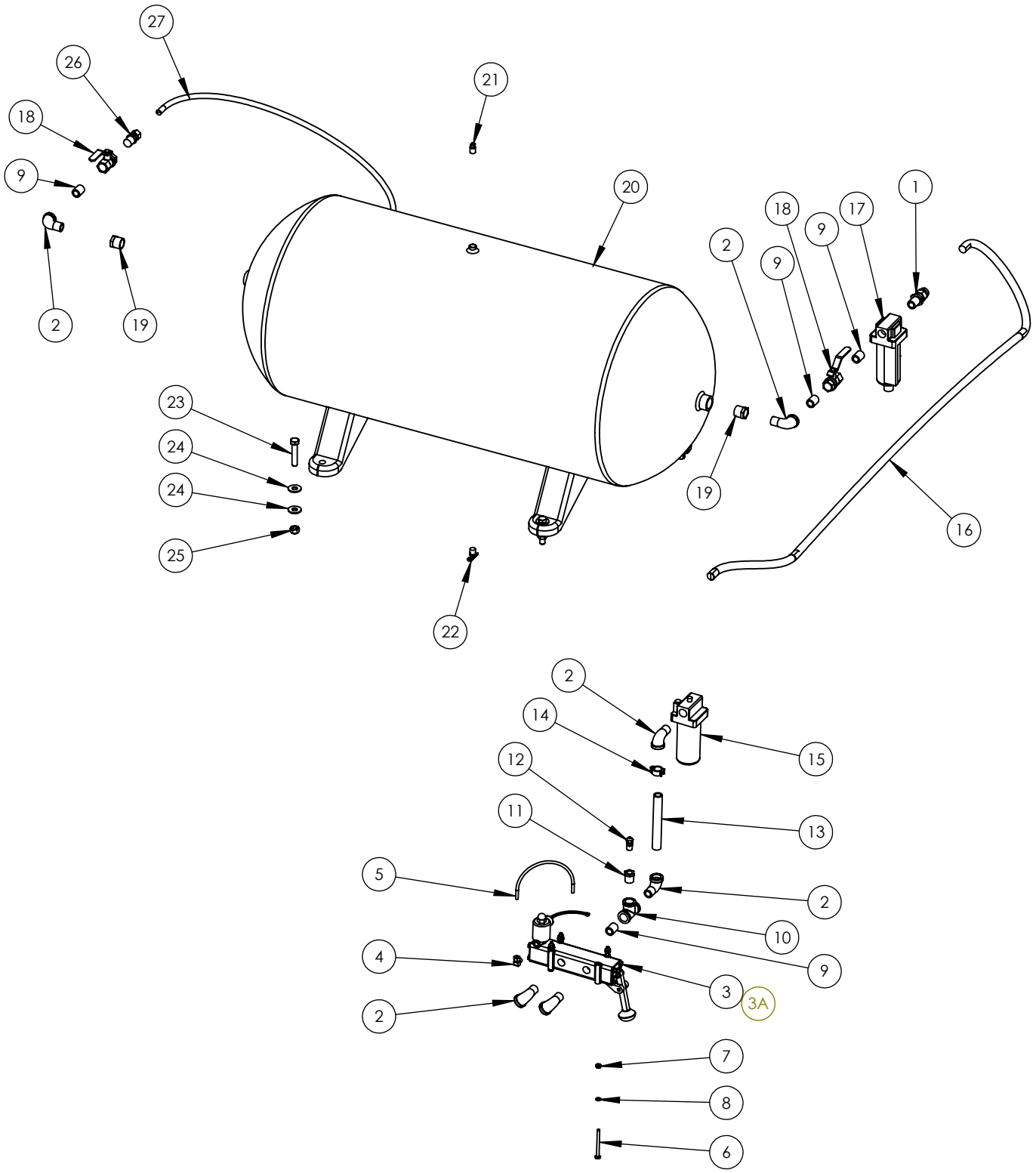
ITEM#	DESCRIPTION	QTY
1	AMBER CLEARANCE LIGHT	2
2	TWO WIRE PLUG	5
3	6 PIN RECEPTACLE	1
4	GATE/LATCH CONTROL VALVE WIRE	1
5	7 PIN RECEPTACLE	1
6	7 PIN RECEPTACLE BOOT	1
7	NUT, 1/4-20 UNC	2
8	SIDE CLEARANCE LIGHT WIRE	2
9	MIDDLE SIDE CLEARANCE/SIGNAL LIGHT	2
10	3 WIRE PLUG	2
11	MIDDLE SIDE DROPPER WIRE	2
12	FEMALE CRIMP PLUG	6
13	MALE CRIMP PLUG	7
14	MIDDLE SIDE SIGNAL LIGHT WIRE	2
15	ABS SENSOR	2
16	ABS SENSOR WIRE	2
17	ECU/VALVE ASSEMBLY	1
18	ECU WIRE	1
19	ABS LIGHT WIRE	1
20	ABS LIGHT	1
21	BOLT, 1/4-20 UNC X 1.5"	2
22	7 WIRE HARNESS	1
23	REAR WIRE HARNESS, (SOLD WITH ITEM 22)	1
24	RED CLEARANCE LIGHT	5
25	REAR CLEARANCE LIGHT WIRE	1
26	LICENSE PLATE LIGHT	1
27	SIGNAL LIGHT PLUG	2
28	TAILLIGHT	4
29	LOCKWASHER, 1/4"	2
30	GATE LATCH CONTROL VALVE	1



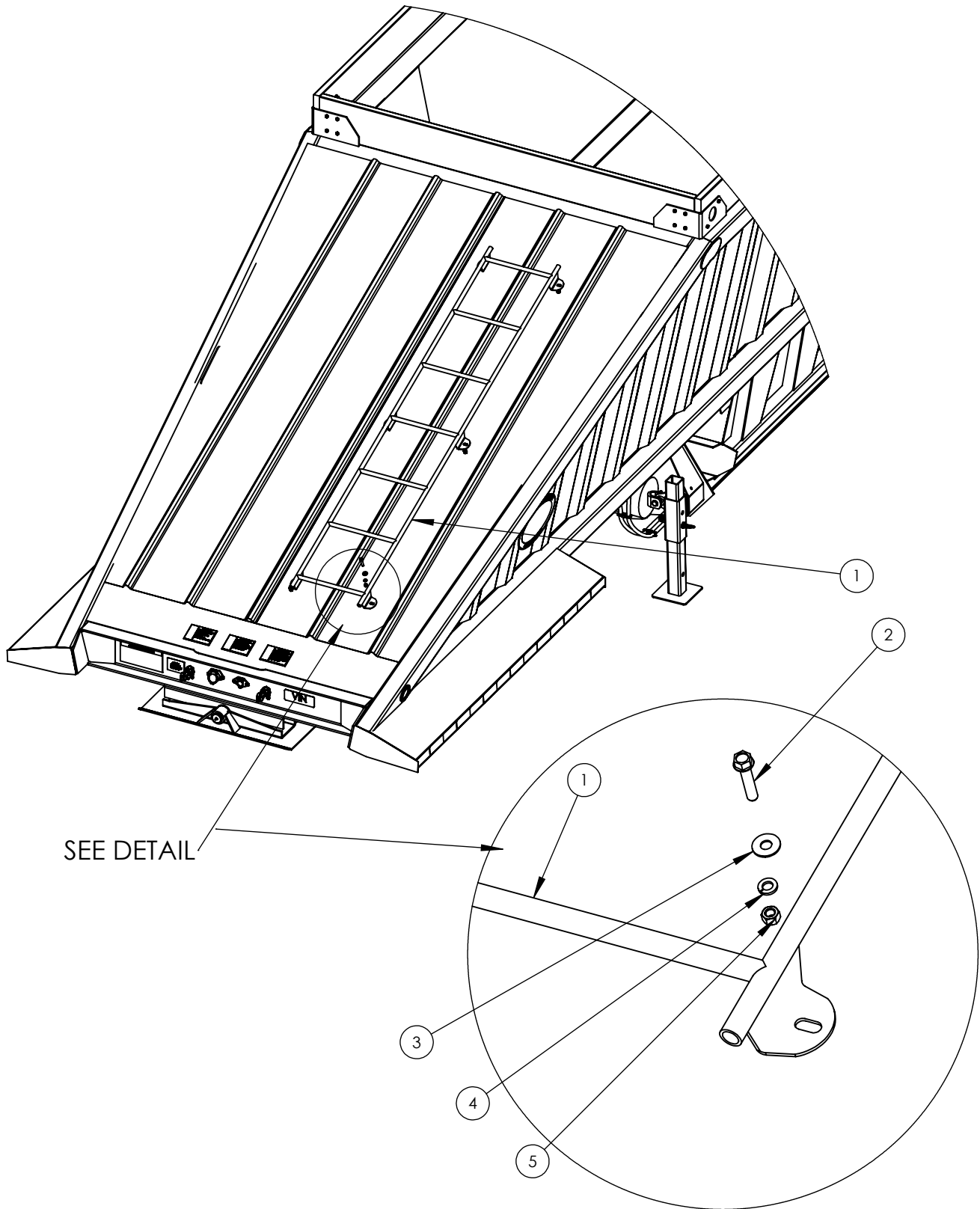
ITEM #	DESCRIPTION	QTY
1	CYLINDER	2
2	DELTROL VALVE	2
3	AIRLINE, FRONT CYLINDER, LEFT SIDE	1
4	AIRLINE, FRONT CYLINDER, RIGHT SIDE	1
5	AIRLINE, REAR CYLINDER, LEFT SIDE	1
6	AIRLINE, REAR CYLINDER, RIGHT SIDE	1
7	TEE, 1/2"NPT	2
8	NIPPLE, 1/2"NPT X 1	4
9	STREET EL, 1/2"NPT	3
10	1/2" AIRLINE FITTING, 1/2"NPT	8



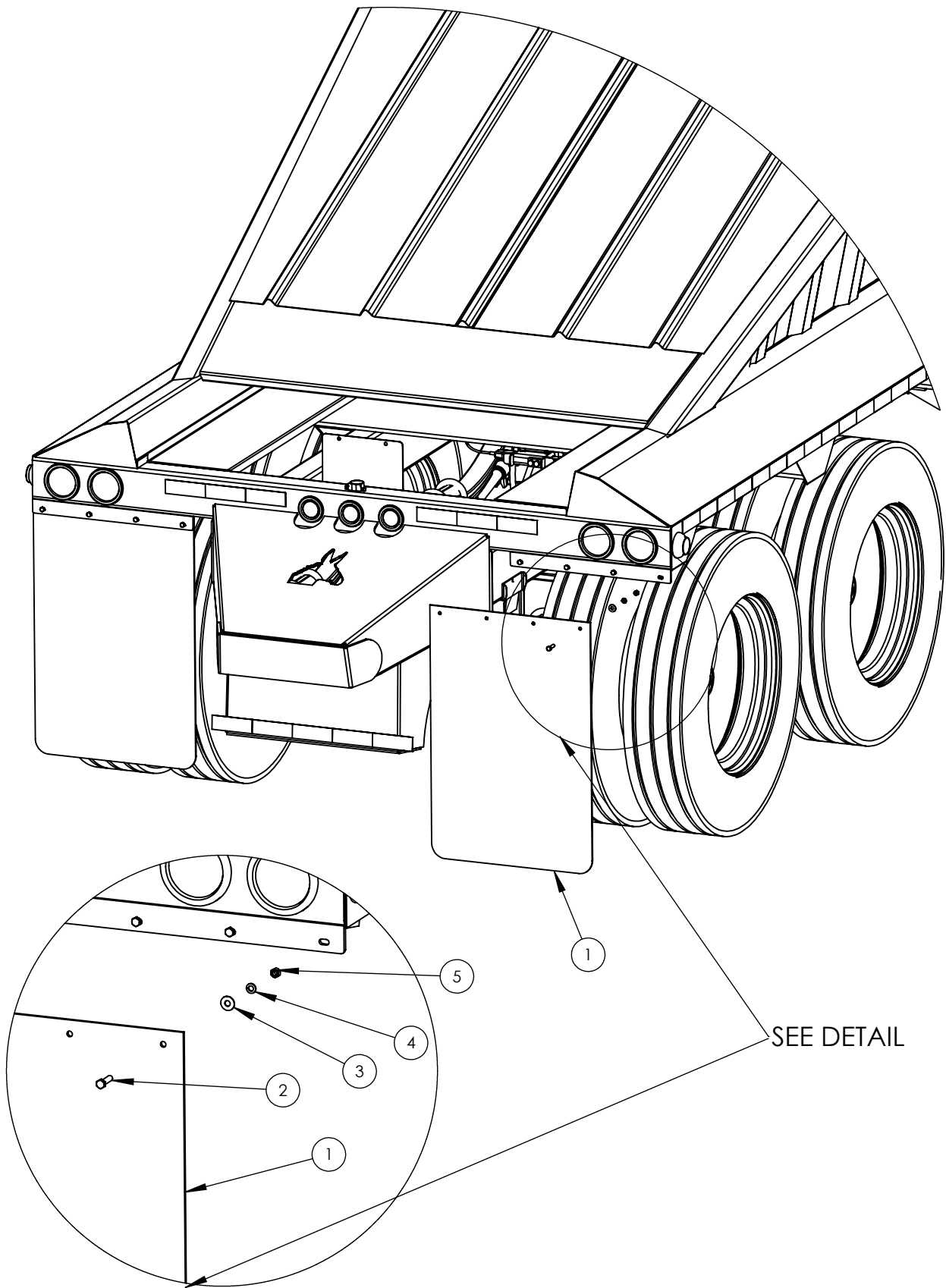
ITEM #	DESCRIPTION	QTY
1	AIRLINE, DOOR VALVE TO DOOR AIR TANK	1
2	1/4" TUBING	1
3	1/2" AIRLINE, BRAKE AIR TANK TO DOOR AIR TANK	1
4	1/2" AIRLINE FITTING, 1/2"NPT	10
5	AIR DRYER	1
6	AIR OILER	1
7	BALLVALVE, 1/2" NPT	2
8	DOOR AIR TANK	1
9	DOOR VALVE	1
9A	DOOR VALVE REBUILD KIT	
10	DRAIN VALVE, 1/4" NPT	1
11	COMPRESSION FITTING, 1/4"TUBING-1/4"NPT	1
12	COMPRESSION FITTING, 1/2" TUBING-1/2"NPT	1
13	RIGHT ANGLE COMPRESSION FITTING, 1/4" TUBING-1/8"NPT	1
14	TEE, 1/2"NPT	1
15	STREET EL, 1/2"NPT	9
16	PIPE PLUG, 1/4" NPT	1
17	BUSHING, 1/2"NPT-1/4"NPT	1
18	BUSHING, 3/4" NPT-1/2"NPT	2
19	NIPPLE, 1/2"NPT X CLOSE	4
20	NIPPLE, 1/2"NPT X 6"	1



ITEM #	DESCRIPTION	QTY
1	1/2" AIRLINE FITTING, 1/2"NPT	4
2	STREET EL, 1/2"NPT	6
3	DOOR VALVE	1
3A	DOOR VALVE REBUILD KIT	
4	RIGHT ANGLE COMPRESSION FITTING, 1/4" TUBING-1/8"NPT	1
5	1/4" TUBING	1
6	BOLT, 1/4-20 UNC X 3"	4
7	NUT, 1/4-20 UNC	4
8	LOCKWASHER, 1/4"	4
9	NIPPLE, 1/2"NPT X CLOSE	4
10	TEE, 1/2"NPT	1
11	BUSHING, 1/2"NPT-1/4"NPT	1
12	COMPRESSION FITTING, 1/4" TUBING-1/4"NPT	1
13	NIPPLE, 1/2"NPT X 6"	1
14	AIRLINE TO WIRE CLIP	1
15	AIR OILER	1
16	AIRLINE, DOOR VALVE TO DOOR AIR TANK	1
17	AIR DRYER	1
18	BALLVALVE, 1/2" NPT	2
19	BUSHING, 3/4" NPT-1/2"NPT	2
20	DOOR AIR TANK	1
21	PIPE PLUG, 1/4" NPT	1
22	DRAIN VALVE, 1/4" NPT	1
23	BOLT, 1/2-13 UNC X 2.5"	4
24	FLAT WASHER, 1/2"	8
25	NUT, 1/2-13 UNC	4
26	COMPRESSION FITTING, 1/2" TUBING-1/2"NPT	1
27	1/2" AIRLINE, BRAKE AIR TANK TO DOOR AIR TANK	1



ITEM #	DESCRIPTION	QTY
1	LADDER	1
2	BOLT, 3/8-16 UNC X 1", WASHER HEAD, SELF TAPPING	6
3	FLAT WASHER, 3/8"	6
4	LOCK WASHER, 3/8"	6
5	NUT, 3/8-16 UNC	6



ITEM #	DESCRIPTION	QTY
1	MUDFLAP	2
2	BOLT, 3/8-16 UNC X 1.5"	8
3	FLAT WASHER, 3/8"	8
4	LOCK WASHER, 3/8"	8
5	NUT 3/8-16 UNC	8