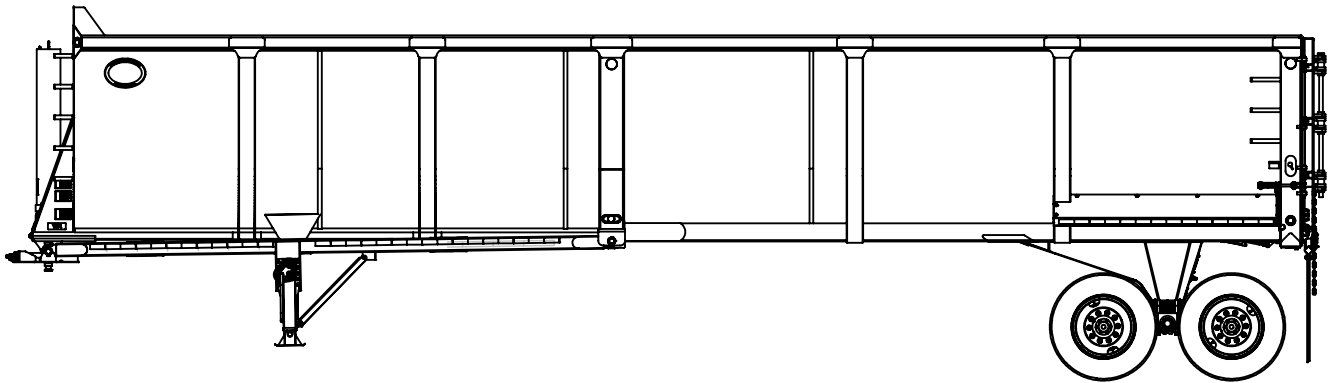


# PARTS BOOK



STANDARD FRAMELESS ELLIPTICAL TRAILER  
40' LENGTH 76" SIDES

CONSTRUCTION TRAILER SPECIALISTS, INC.

2535 ROSE PARKWAY  
SIKESTON, MO 63801  
TOLL FREE: 888-669-0003  
PH: 573-481-0941  
FX: 573-481-0953  
E-MAIL: [parts@trailerbuilders.com](mailto:parts@trailerbuilders.com)  
[www.constructiontrailerspecialists.com](http://www.constructiontrailerspecialists.com)

Thanks for choosing Construction Trailer Specialists, Inc., we manufacture a line of trailers in a size to fit your needs.

-End dump trailers in Light Weight, Half Round or Elliptical configurations available Frameless, Quarter Frame or Full Frame. Elliptical scrap/demo trailers available in lengths from 22 to 40 ft, with 46-100 inch sides.

-Bottom dump trailers in 32-42 ft lengths, with Low Profile, and Lightweight versions available.

-Grain trailers in 34-42 ft lengths.

-Walking floor trailers

-Side dump trailers

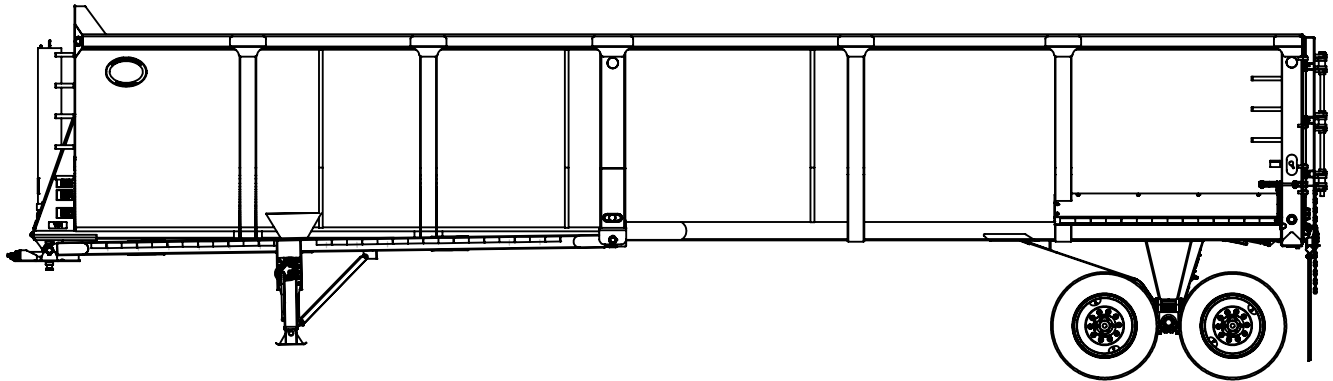
-In addition, we offer a variety of suspension and tarp options to suit your needs.

When ordering parts be sure to have the trailer's vehicle identification number (VIN) at hand so we can be sure to get you the correct parts for your trailer.

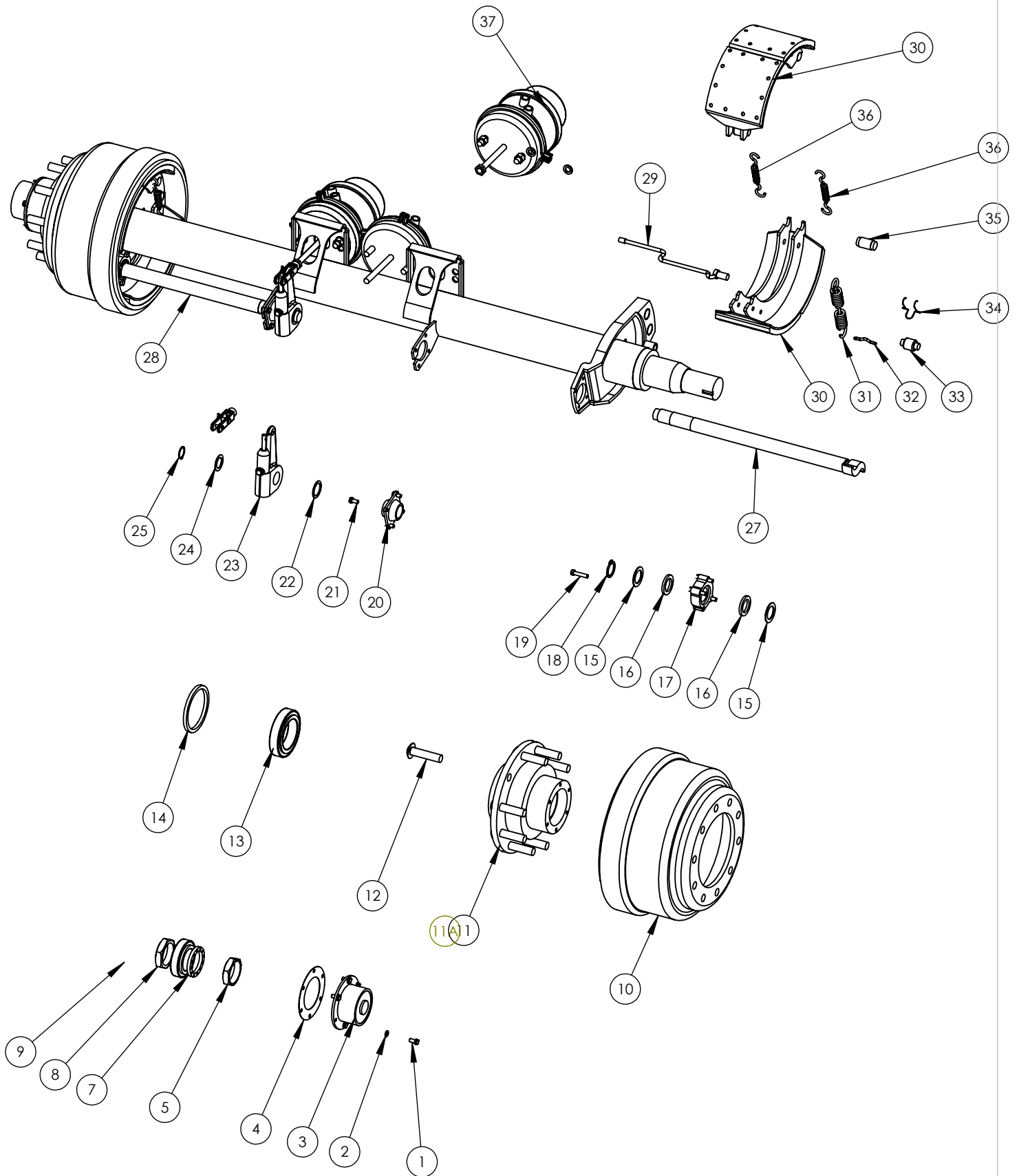
Remember this parts book is for a "standard" trailer, if your trailer is not standard dimensions some parts may not interchange with those listed here, contact the factory if you are unsure.

We will be working on, adding to, and improving this and other parts books in the near future. We welcome any comments or suggestions on how we may make them work better for you. Thanks again!!!

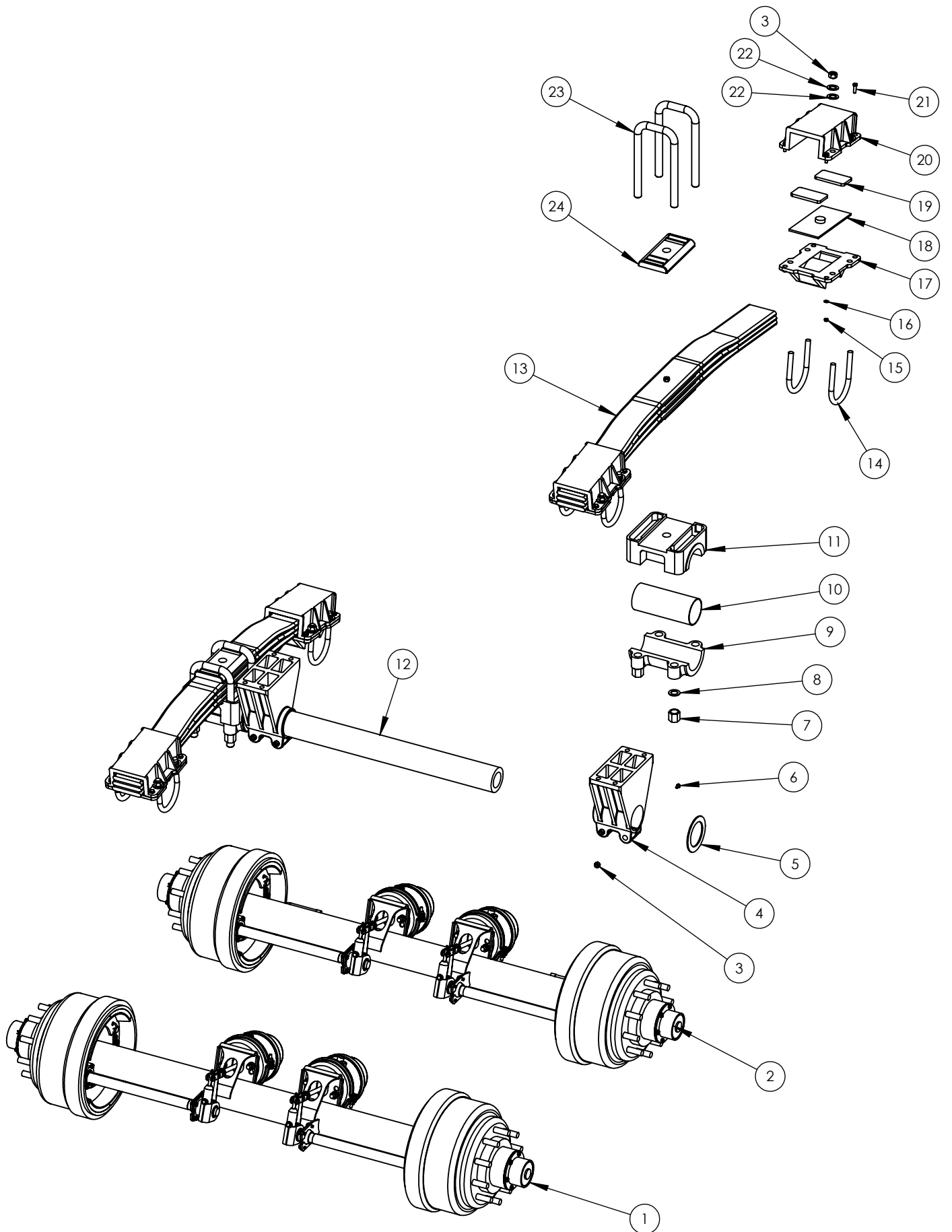
# TABLE OF CONTENTS



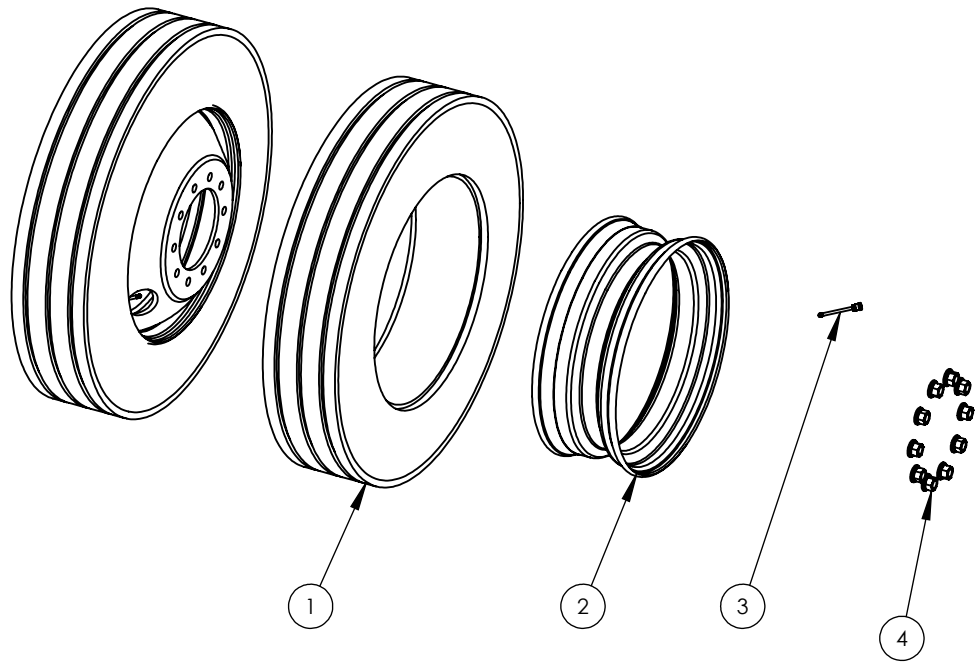
DESCRIPTION	PAGE
BRAKES	2-3
SUSPENSION	4-5
WHEELS	6
SUSPENSION BOGEY POD	7
MAIN BODY	8-9
BODY FRONT	10
MIDDLE BODY BRACE	11
REAR BODY BRACE	12-13
REAR DOOR	14-15
REAR DOOR SIDE AND BOTTOM LATCHES	16
DRAFT ARM	17
FIFTH WHEEL	18
WIRING	19
PLUMBING	20-21
LANDING GEAR	22
MUDFLAPS	23
FENDERS	24
DECALS	25



ITEM #	DESCRIPTION	QTY PER AXLE
1	BOLT, 5/16-18 UNC X 3/4"	12
2	LOCK WASHER, 5/16"	12
3	HUBCAP, INCLUDES ITEM 4	2
4	HUBCAP GASKET	2
5	WHEEL BEARING JAM NUT	2
7	WHEEL BEARING LOCK WASHER	2
8	WHEEL BEARING ADJUSTING NUT	2
9	OUTER WHEEL BEARING	2
10	BRAKE DRUM	2
11	HUB WITH ABS TOOTH WHEEL (REAR AXLE ONLY)	2
11A	HUB WITHOUT ABS TOOTH WHEEL (FRONT AXLE ONLY)	2
12	WHEEL STUD	20
13	INNER WHEEL BEARING	2
14	WHEEL BEARING SEAL	2
	CAM BUSHING KIT, ITEMS 15-22, 24, 25	2
15	WASHER	4
16	SEAL	4
17	CAMSHAFT BUSHING, OUTER	2
18	SNAP RING	2
19	BOLT	8
20	CAMSHAFT BUSHING, INNER	2
21	BOLT	8
22	WASHER	2
23	SLACK ADJUSTER ASSEMBLY	2
24	WASHER	2
25	SNAP RING	2
27	CAMSHAFT, LEFT	1
28	CAMSHAFT, RIGHT	1
29	ABS SENSOR (REAR AXLE ONLY)	2
	BRAKE KIT, ITEMS 30-36	2
30	BRAKE SHOE	4
31	BRAKE SHOE RETURN SPRING	2
32	PIN, BRAKE SHOE RETURN SPRING	4
33	BRAKE SHOE ROLLER	4
34	RETAINER, BRAKE SHOE ROLLER	4
35	ANCHOR PIN	4
36	BRAKE SHOE RETAINING SPRING	4
37	AIR CHAMBER	2

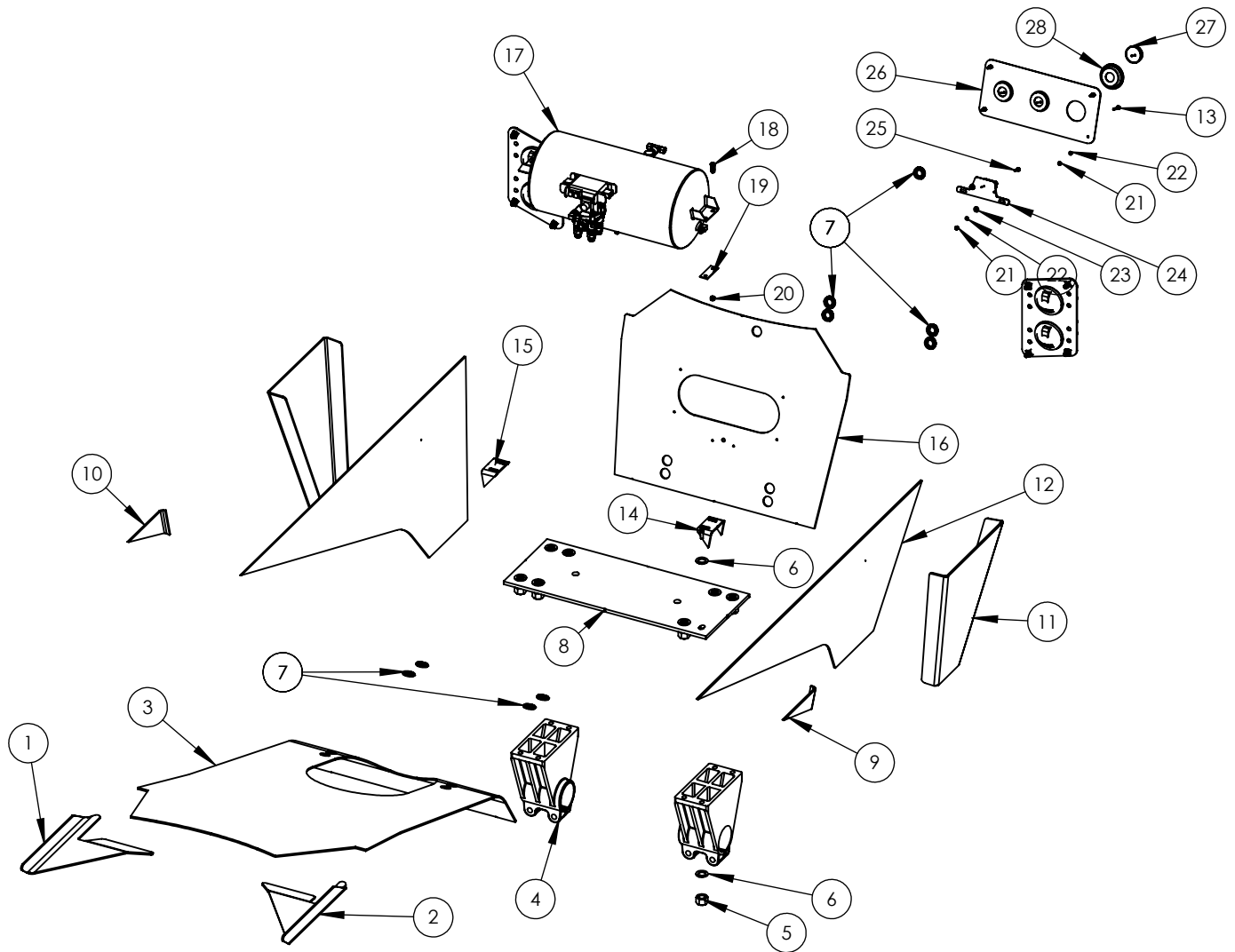




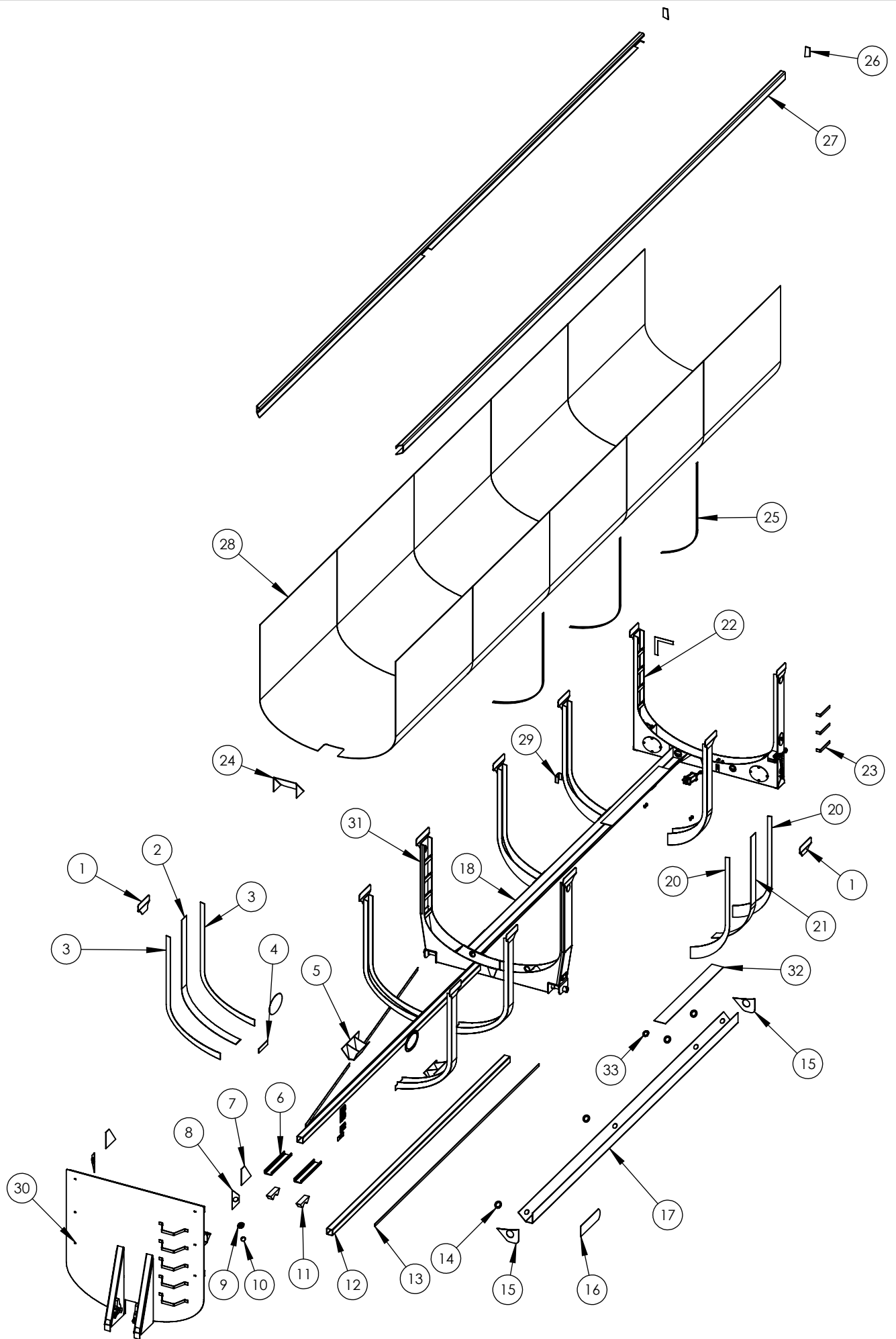


ITEM #	DESCRIPTION	QTY PER TRAILER
1	TIRE	8
2	RIM	8
3	VALVESTEM	8
4	LUGNUT	40

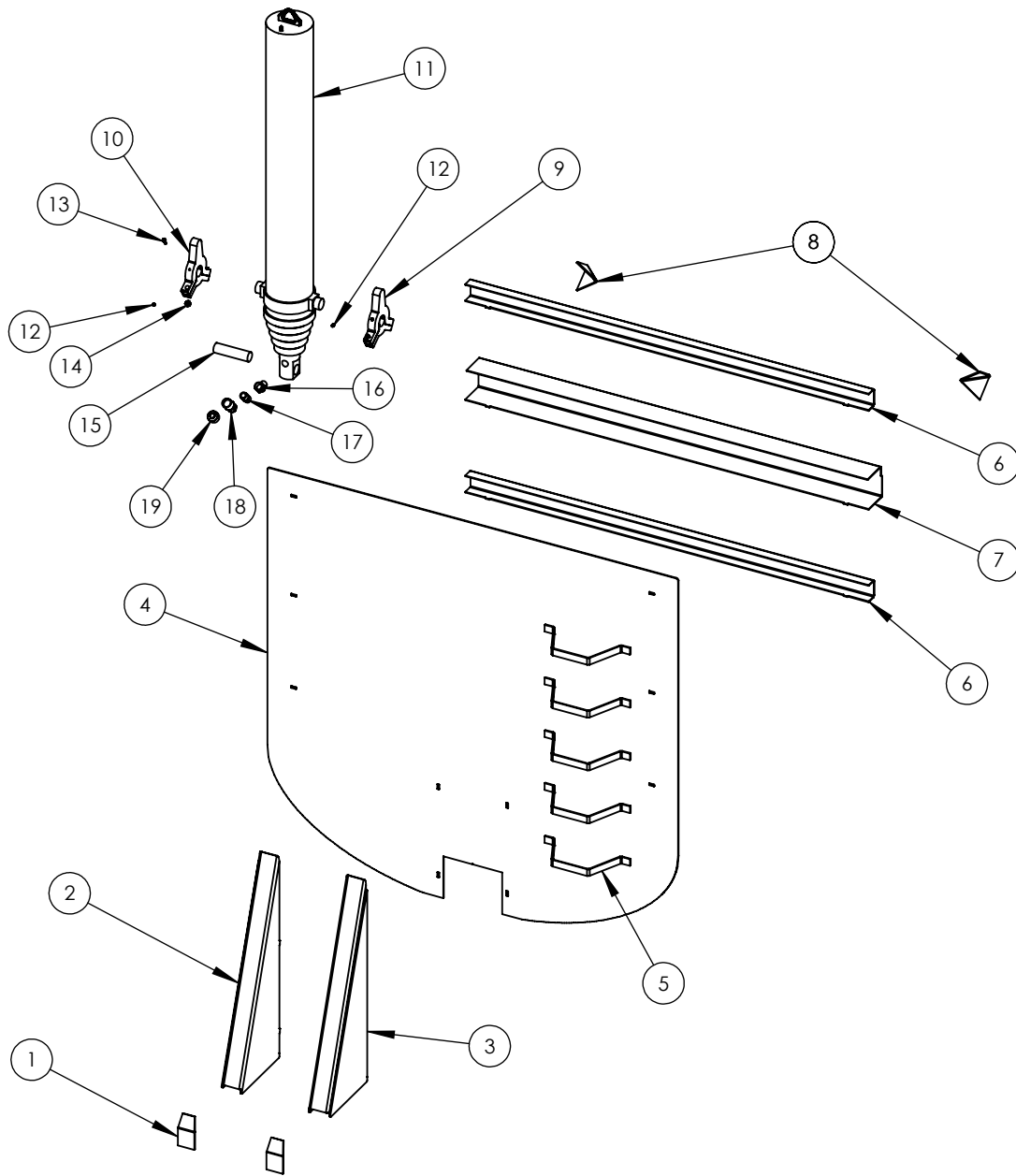




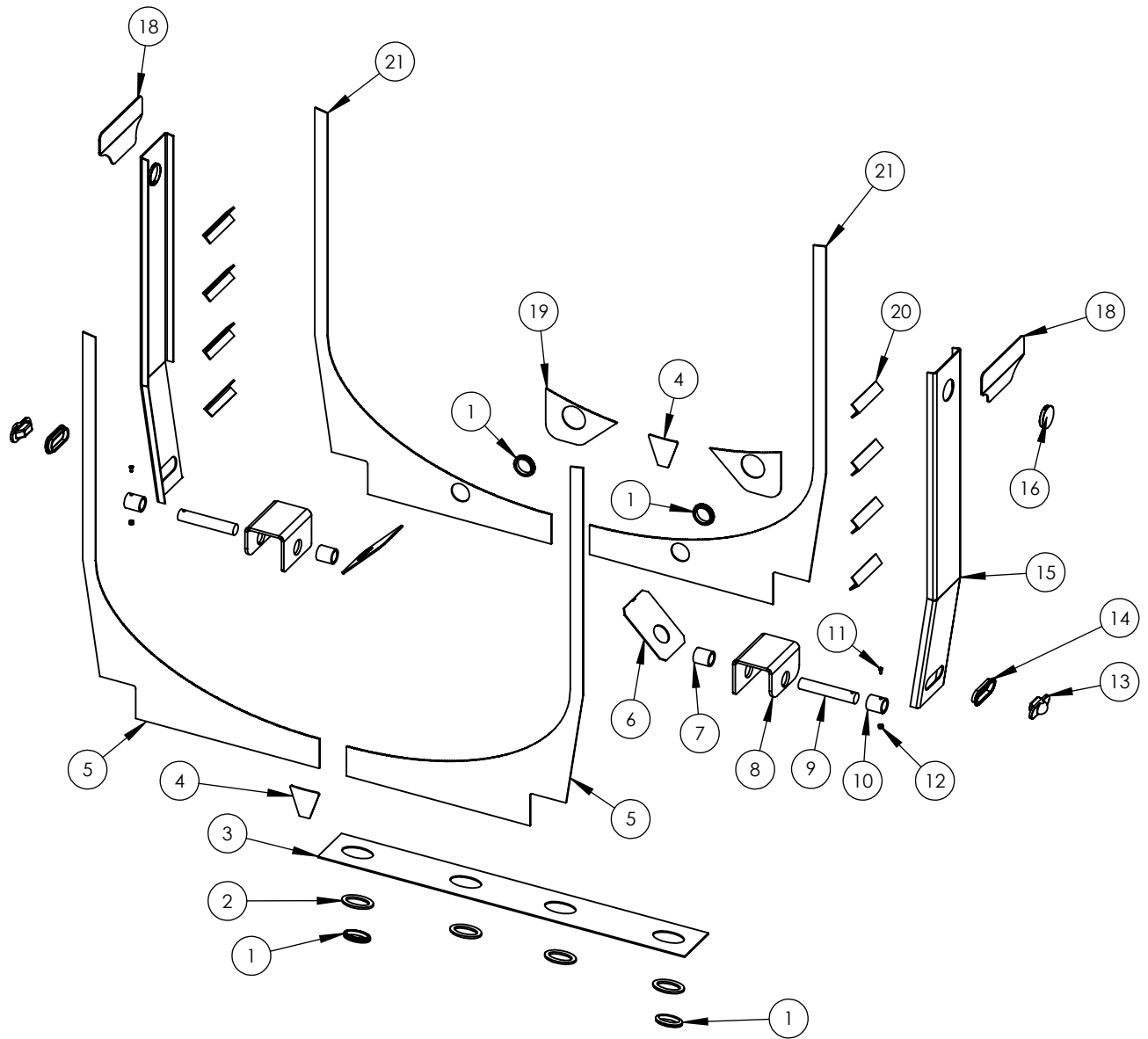
ITEM#	DESCRIPTION	QTY
1	BOGEY POD/LONGITUDINAL FRAME BRACE, RIGHT	1
2	BOGEY POD/LONGITUDINAL FRAME BRACE, LEFT	1
3	BOGEY POD FRONT PLATE	1
4	SUSPENSION TRUNION HANGER	2
5	LOCKNUT, 5/8-11 UNC	8
6	5/8" MACHINE BUSHING	16
7	1" GROMMET	9
8	BOGEY POD BOTTOM PLATE	1
9	BOGEY POD CORNER GUSSET, LEFT	1
10	BOGEY POD CORNER GUSSET, RIGHT	1
11	BOGEY POD BRACE CHANNEL	2
12	BOGEY POD SIDE PLATE	2
13	BOLT, 1/4-20 UNC X 1.5"	4
14	BOLT, 5/8-11 UNC X 2.25" GR5	8
15	AIRTANK BRACKET	2
16	BOGEY POD REAR PLATE	1
17	AIRTANK ASSEMBLY, SEE PAGE 20-21	
18	BOLT, 3/8-16 UNC X 1.5"	4
19	AIRTANK MOUNTING PAD	2
20	NUT, 3/8-16 UNC	4
21	NUT, 1/4-20 UNC	6
22	LOCKWASHER, 1/4"	6
23	FLATWASHER, 1/4"	2
24	LICENSE PLATE BRACKET	1
25	BOLT, 1/4-20 UNC X 1"	2
26	BOGEY POD REAR COVER PLATE	1
27	CLEARANCE LIGHT, RED	3
28	FLUSH GROMMET, CLEARANCE LIGHT	3



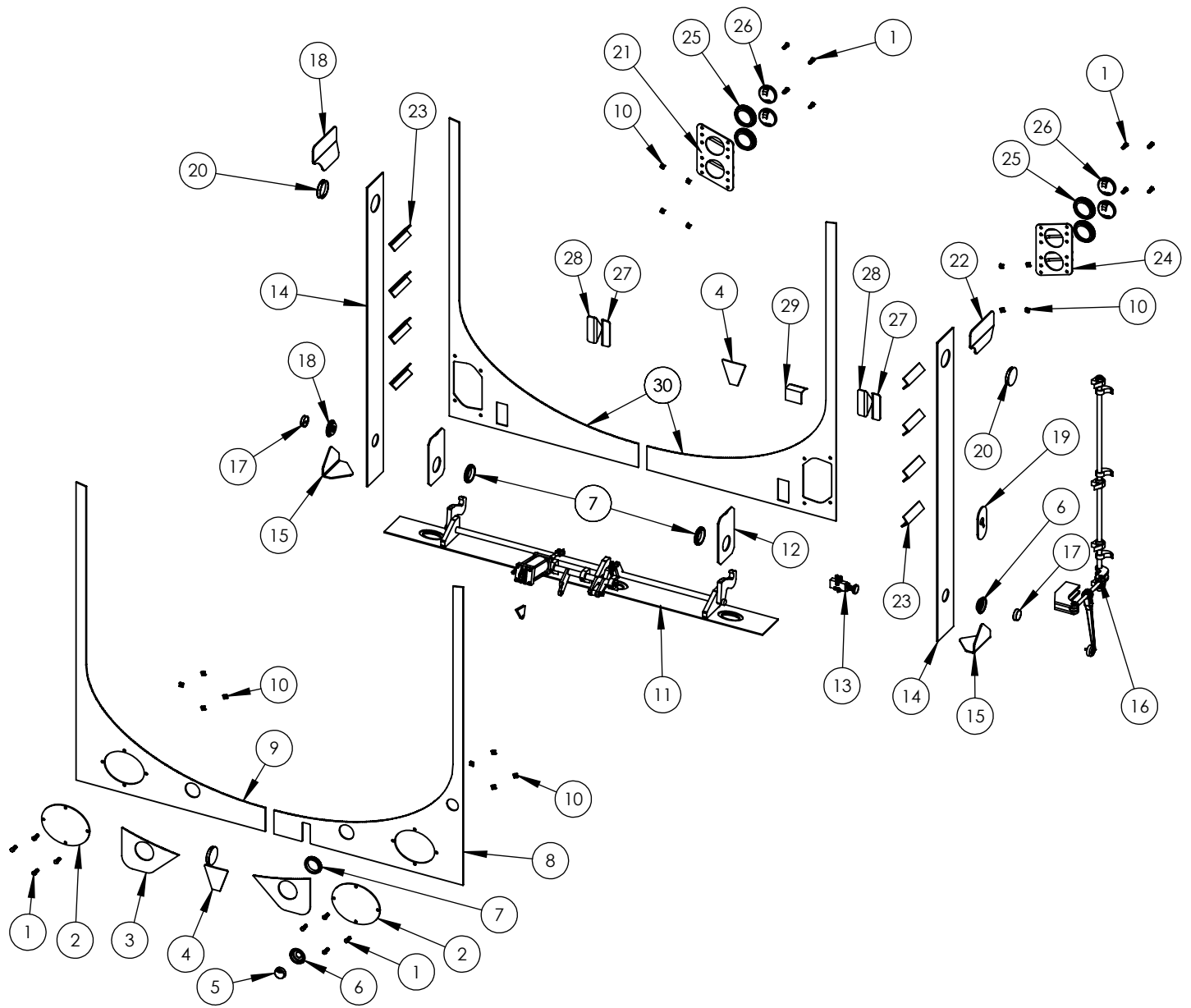
ITEM#	DESCRIPTION	QTY
1	INTERMEDIATE BODY BRACE GUSSET	8
2	FRONT INTERMEDIATE BODY BRACE COVER	4
3	FRONT INTERMEDIATE BODY BRACE SIDE	8
4	FRONT INTERMEDIATE BODY BRACE WELD PLATE	4
5	DRAFT ARM PEDESTAL	2
6	FRONT LONGITUDINAL FRAME REINFORCEMENT CHANNEL	2
7	NOSE/TOP RAIL GUSSET	2
8	TOP RAIL FRONT END CAP	2
9	FLUSH GROMMET, CLEARANCE LIGHT	2
10	CLEARANCE LIGHT, AMBER	2
11	DRAFT ARM CRADLE	2
12	FRONT LONGITUDINAL FRAME	2
13	FRONT LONGITUDINAL FRAME SIDE COVER	2
14	OVAL CUTOUT	8
15	REAR LONGITUDINAL FRAME WELD PLATE	4
16	REAR LONGITUDINAL FRAME SIDE WELD PLATE	2
17	REAR LONGITUDINAL FRAME, LEFT	1
18	REAR LONGITUDINAL FRAME, RIGHT	1
19	REAR INTERMEDIATE BODY BRACE WELD PLATE	4
20	REAR INTERMEDIATE BODY BRACE SIDE PLATE	8
21	REAR INTERMEDIATE BODY BRACE COVER	4
22	REAR BODY BRACE ASSEMBLY, SEE PAGE 12	
23	SIDE LADDER RUNG	3
24	DOGHOUSE COVER	1
25	TUB SECTION JOINT COVER STRAP	6
26	TOP RAIL REAR END CAP	2
27	TOP RAIL, REPAIR SECTION SOLD BY THE FOOT (XX= FEET)	
28	TUB, SOLD BY 8' SECTION	
29	CHAIN LOCK	1
30	NOSE ASSEMBLY, SEE PAGE 10	
31	MIDDLE BODY BRACE ASSEMBLY, SEE PAGE 11	
32	LONGITUDINAL FRAME REINFORCEMENT	2
33	3" GROMMET	2



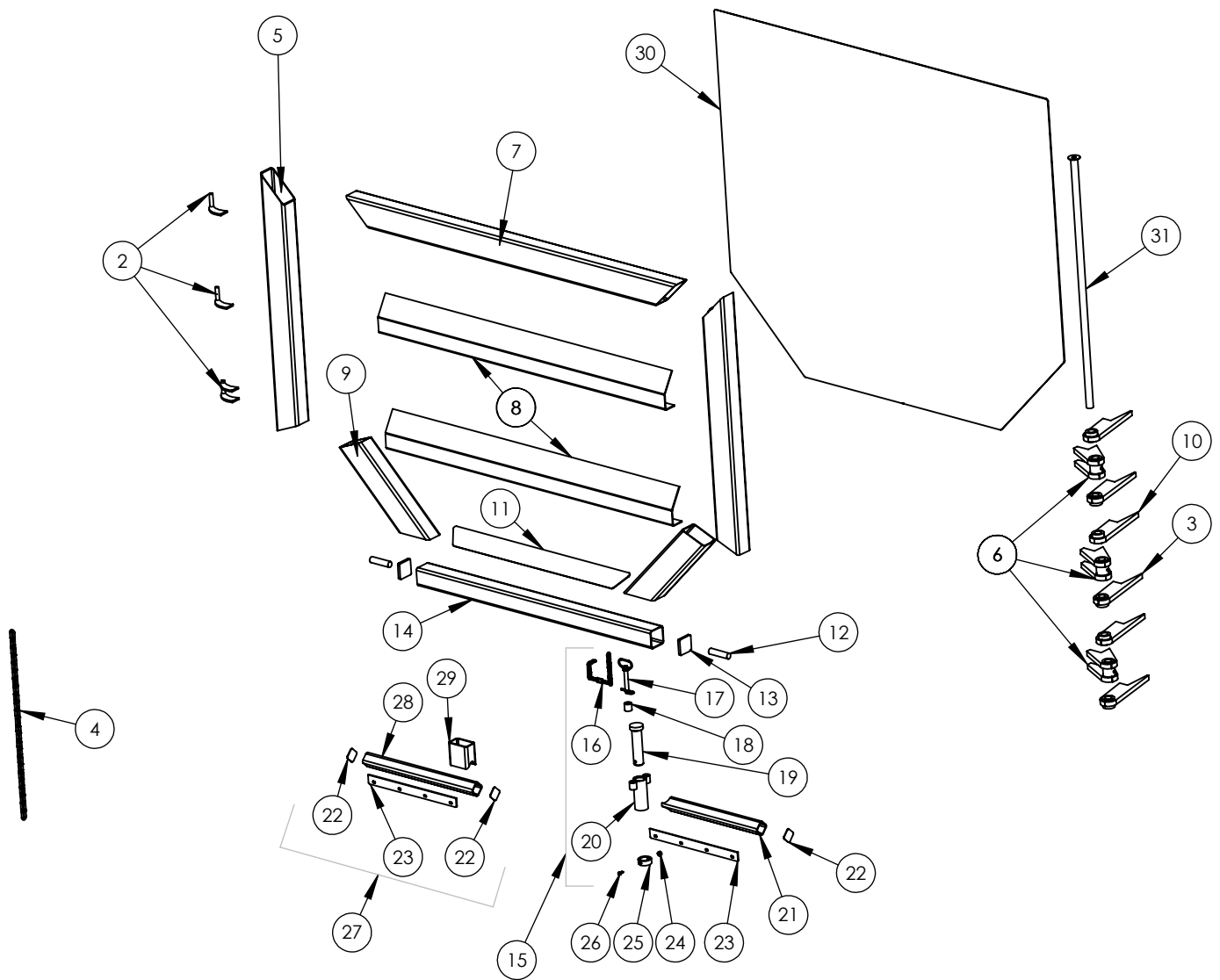
ITEM#	DESCRIPTION	QTY
1	CYLINDER MOUNT CHANNEL CAP	2
2	CYLINDER MOUNT CHANNEL, RIGHT	1
3	CYLINDER MOUNT CHANNEL, LEFT	1
4	NOSE PLATE	1
5	NOSE LADDER RUNG	5
6	SMALL INSIDE NOSE CHANNEL	2
7	LARGE INSIDE NOSE CHANNEL	1
8	INSIDE GUSSET	2
9	UPPER CYLINDER MOUNT, LEFT	1
10	UPPER CYLINDER MOUNT, RIGHT	1
11	CYLINDER	1
12	GREASE ZERK	3
13	BOLT, 3/4-10 UNC X 3.5" GR5	4
14	LOCKNUT, 3/4-10 UNC	4
15	CYLINDER PIN	1
16	45 DEGREE MALE-FEMALE FITTING, 1" NPT	1
17	1" NPT NIPPLE	1
18	HYDRAULIC COUPLER	1
19	CAP, HYDRAULIC COUPLER	1



ITEM#	DESCRIPTION	QTY
1	3" GROMMET	4
2	OVAL CUTOUT	4
3	MIDDLE BODY BRACE BOTTOM PLATE	1
4	BODY BRACE CENTER CONNECTOR PLATE	2
5	MIDDLE BODY BRACE FRONT PLATE	2
6	MIDDLE BODY BRACE INSIDE PLATE	2
7	DRAFT ARM MOUNT INSIDE BUSHING	2
8	DRAFT ARM MOUNT BRACKET	2
9	DRAFT ARM MOUNT PIN	2
10	DRAFT ARM MOUNT OUTSIDE BUSHING	2
11	BOLT, 1/2-13 UNC X 3.5"	2
12	LOCKNUT, 1/2-13 UNC	2
13	MIDDLE SIDE LIGHT	2
14	MIDDLE SIDE LIGHT OVAL GROMMET	2
15	MIDDLE BODY BRACE COVER	2
16	DOME PLUG	2
18	MIDDLE BODY BRACE GUSSET	2
19	REAR LONGITUDINAL FRAME WELD PLATE	2
20	MIDDLE BODY BRACE STIFFENER	8
21	MIDDLE BODY BRACE REAR PLATE	2

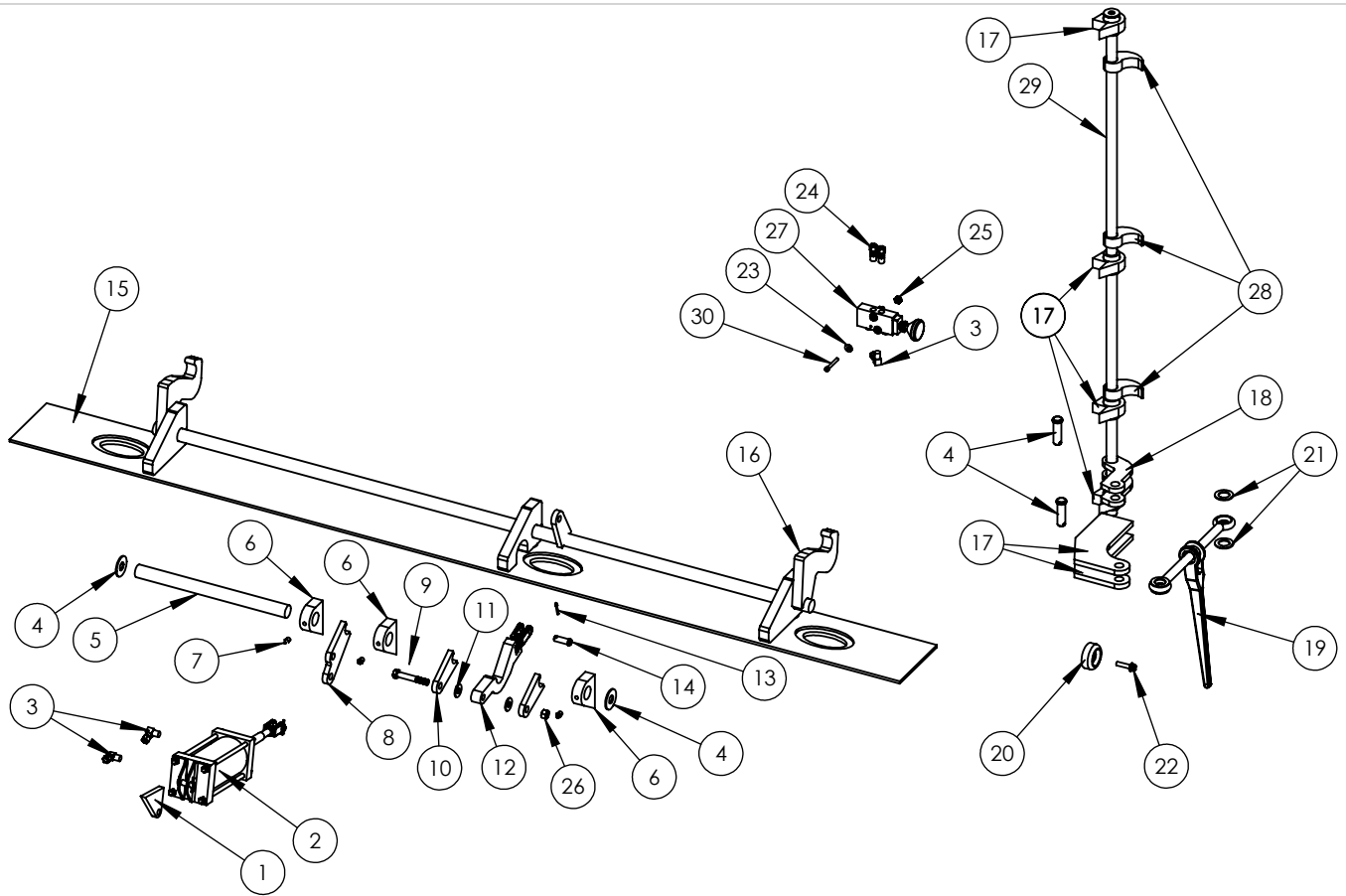


ITEM#	DESCRIPTION	QTY
1	BOLT, 1/2-13 UNC X 1"	16
2	REAR BODY BRACE ACCESS COVER	2
3	REAR LONGITUDINAL FRAME WELD PLATE	2
4	BODY BRACE CENTER CONNECTOR PLATE	2
5	ABS LIGHT	1
6	FLUSH GROMMET, CLEARANCE LIGHT	3
7	3" GROMMET	3
8	REAR BODY BRACE FRONT PLATE, LEFT	1
9	REAR BODY BRACE FRONT PLATE, RIGHT	1
10	SQUARE NUT, 1/2-13 UNC	16
11	BOTTOM LATCH ASSEMBLY, SEE PAGE 16	
12	REAR BODY BRACE INSIDE PLATE	2
13	BOTTOM LATCH CONTROL VALVE, SEE PAGE 16	
14	REAR BODY BRACE SIDE PLATE	2
15	REAR BODY BRACE CORNER PLATE	2
16	SIDE LATCH ASSEMBLY, SEE PAGE 16	
17	CLEARANCE LIGHT, RED	2
18	REAR BODY BRACE GUSSET, RIGHT	1
19	REAR BODY BRACE CHAIN LOCK	1
20	BODY BRACE UPPER ACCESS COVER	2
21	TAILLIGHT PLATE, RIGHT	1
22	REAR BODY BRACE GUSSET, LEFT	1
23	REAR BODY BRACE STIFFENER	8
24	TAILLIGHT PLATE, LEFT	1
25	TAILLIGHT GROMMET	4
26	TAILLIGHT	4
27	LATCH HOOK GUARD, LEFT	2
28	LATCH HOOK GUARD, RIGHT	2
29	DOOR GUIDE	1
30	REAR BODY BRACE REAR PLATE	2

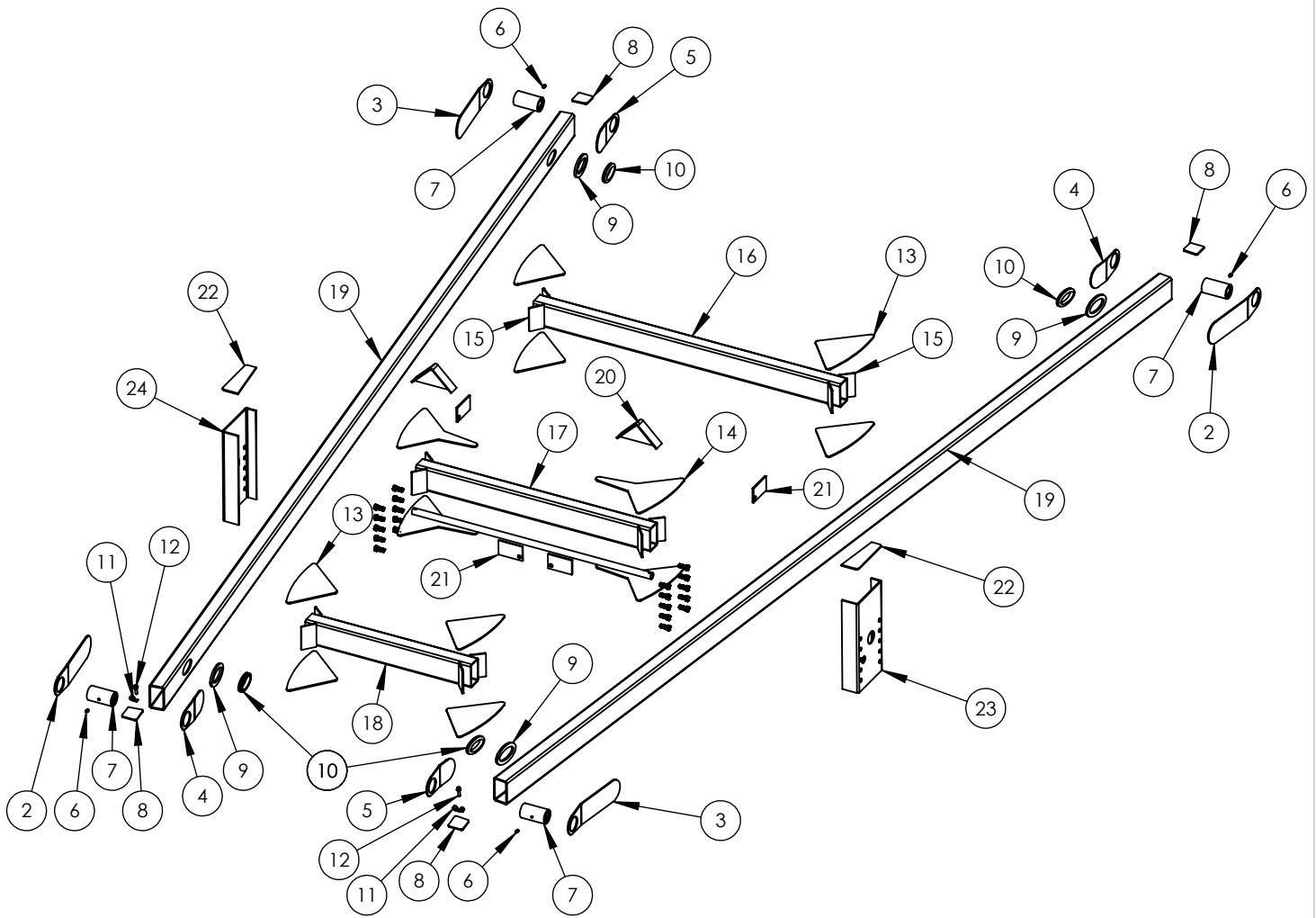




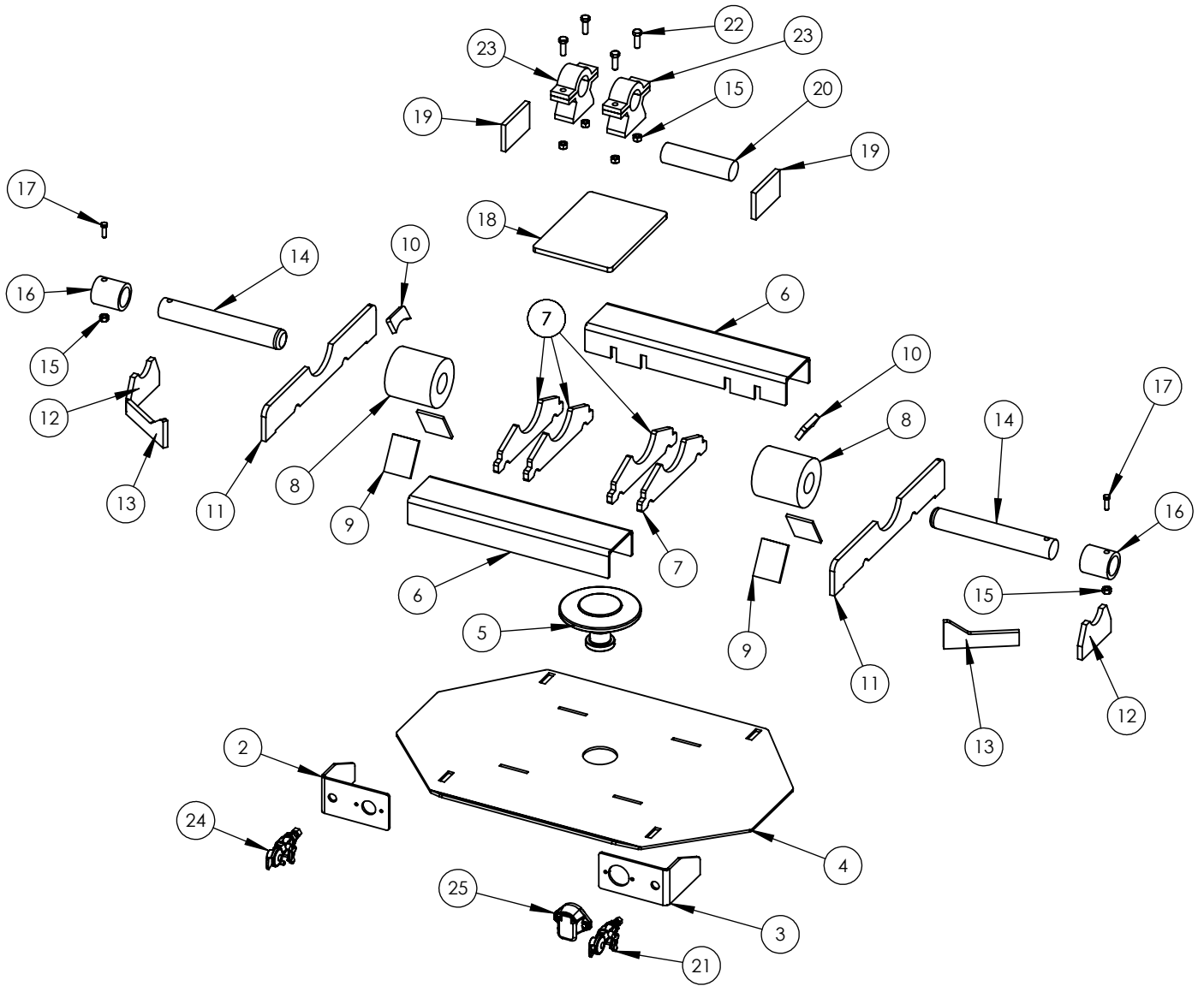
ITEM#	DESCRIPTION	QTY
1	COMPLETE DOOR ASSEMBLY, 76" (DOES NOT INCLUDE ITEMS 31, 32, 34)	
2	SIDE LATCH DOOR HOOK	3
3	DOOR HINGE, BODY, SIDE, BOTTOM	3
4	DOOR CHAIN, 24 LINKS 5/16" CHAIN	1
5	DOOR SIDE TUBE, 76"	2
6	DOOR HINGE, DOOR SIDE	3
7	DOOR TOP TUBE	1
8	DOOR MIDDLE CHANNEL	2
9	DOOR ANGLE TUBE	2
10	DOOR HINGE, BODY SIDE, TOP	3
11	DOOR DIRT SHEDDER	1
12	BOTTOM LATCH PIN	2
13	DOOR BOTTOM TUBE END PLATE	2
14	DOOR BOTTOM TUBE	1
15	SWINGING MUDFLAP BRACKET ASSEMBLY (ITEMS 16-26)	
16	HITCH PIN CHAIN, 10 LINKS 1/4" CHAIN	1
17	HITCH PIN	1
18	HITCH PIN BUSHING	1
19	PIVOT PIN, SWINGING MUDFLAP BRACKET	1
20	PIVOT BUSHING, SWINGING MUDFLAP BRACKET	1
21	SWINGING MUDFLAP BRACKET TUBE	1
22	MUDFLAP BRACKET TUBE CAP	3
23	MUDFLAP BRACKET PLATE	1
24	LOCKNUT, 1/2-13 UNC	1
25	COLLAR, SWINGING MUDFLAP BRACKET	1
26	BOLT, 1/2-13 UNC X 3.5	1
27	FIXED MUDFLAP BRACKET ASSEMBLY (ITEMS 22, 23, 28, AND 29)	
28	FIXED MUDFLAP BRACKET TUBE	1
29	FIXED MUDFLAP BRACKET SPACER	1
30	DOOR PLATE	1
31	DOOR HINGE PIN	1



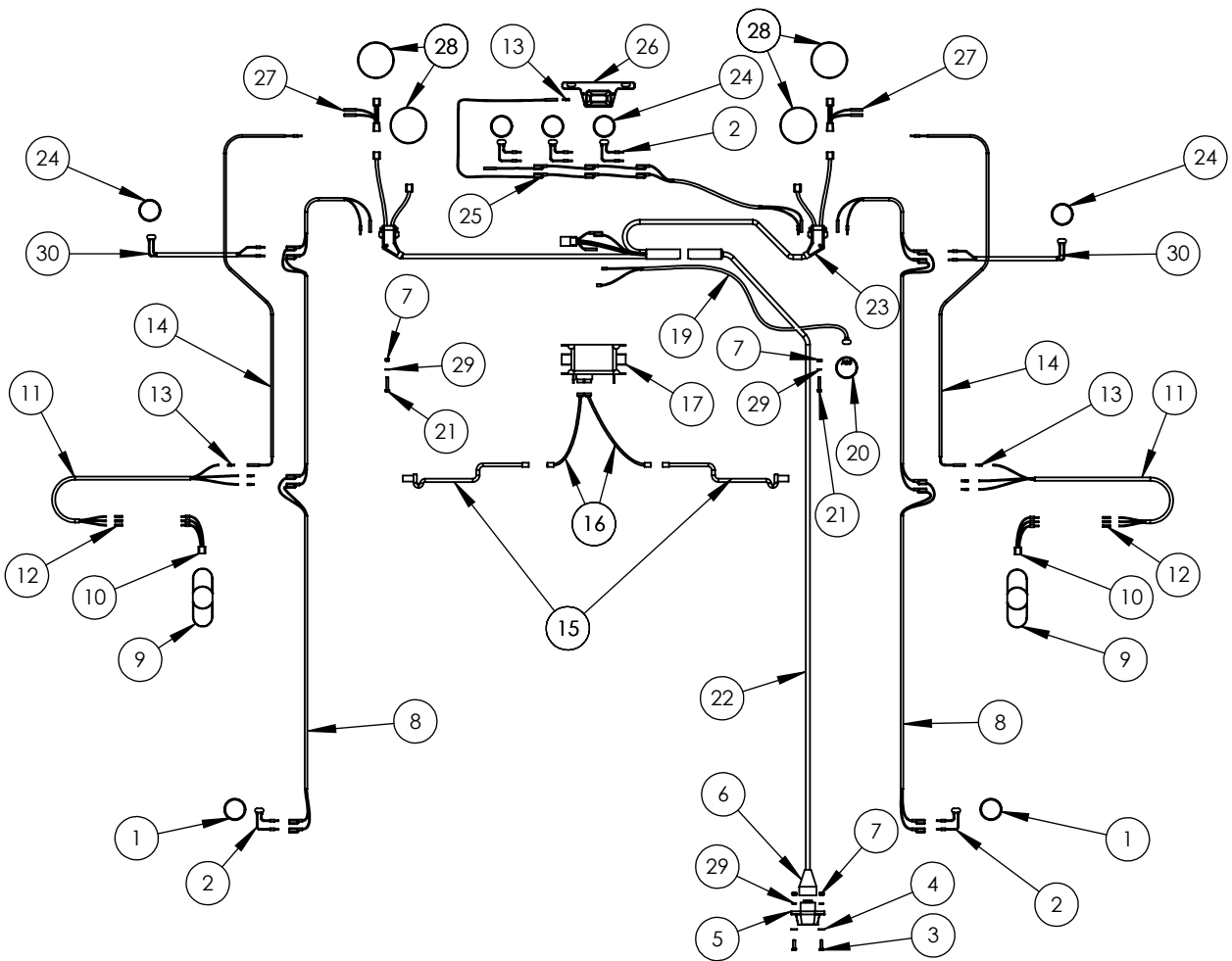
ITEM#	DESCRIPTION	QTY
1	BOTTOM LATCH CYLINDER MOUNT	1
2	BOTTOM LATCH CYLINDER	2
3	RIGHT ANGLE COMPRESSION FITTING, 3/8" TUBING TO 1/4" NPT	3
4	CLEVIS PIN, 3/4" X 2.5"	2
5	BOTTOM LATCH CAM SHAFT	1
6	BOTTOM LATCH CAM SHAFT PIVOT	3
7	GREASE ZERK	3
8	BOTTOM LATCH CYLINDER BAR	1
9	BOLT, 1/2"-13 UNC X 3"	1
10	BOTTOM LATCH CAM PLATE	2
11	FLAT WASHER, 1/2"	2
12	BOTTOM LATCH CONNECTOR BAR ASSEMBLY	1
13	COTTER PIN, 1/8"	1
14	CLEVIS PIN, 1/2" X 1.5"	1
15	BOTTOM LATCH PLATE ASSEMBLY	1
16	BOTTOM LATCH HOOK	2
17	RATCHET BRACKET	2
18	RATCHET LATCH ARM	2
19	RATCHET	1
20	PUMPER PAD	1
21	FLAT WASHER, 1"	4
22	BOLT SELF TAPPER, 3/8-16 UNC X 1.5"	1
23	FLAT WASHER, #8	3
24	COMPRESSION FITTING, 3/8" TUBING TO 1/4" NPT	2
25	LOCKNUT, 8-32	3
26	1/2-13 UNC LOCKNUT	1
27	BOTTOM LATCH CONTROL VALVE	1
28	SIDE LATCH HOOK	3
29	SIDE LATCH SHAFT	1
30	SOCKET HEAD SCREW, 8-32 X 2"	3



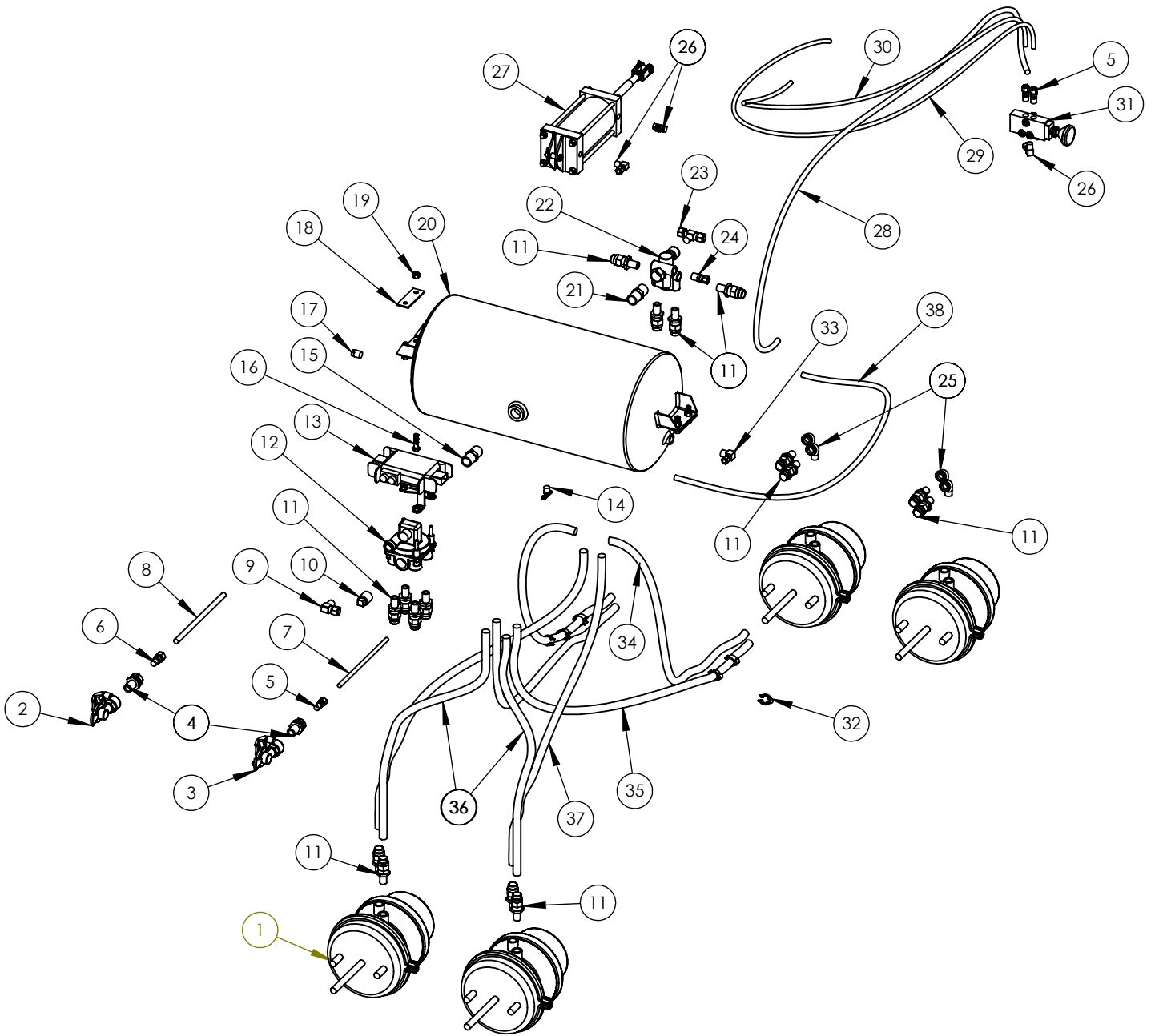
ITEM#	DESCRIPTION	QTY
1	COMPLETE DRAFT ARM ASSEMBLY, 38'-40', (DOES NOT INCLUDE ITEMS 10, 11, 12, 20, 21)	
2	LONG BUSHING TAB, RIGHT	2
3	LONG BUSHING TAB, LEFT	2
4	SHORT BUSHING TAB, LEFT	2
5	SHORT BUSHING TAB, RIGHT	2
6	GREASE ZERK	4
7	DRAFT ARM BUSHING	4
8	BUSHING WELD PLATE	4
9	OVAL CUTOUT	4
10	3"GROMMET	4
11	TUBE STRAP	3
12	SHEET METAL SCREW, 1/4" SELF DRILLING, HEX WASHER HEAD	2
13	DRAFT ARM GUSSET	8
14	LONG DRAFT ARM GUSSET	4
15	3" X 5" GUSSET	12
16	REAR DRAFT ARM CROSS TUBE, 38'-40'	1
17	MIDDLE DRAFT ARM CROSS TUBE, 38'-40'	1
18	FRONT DRAFT ARM CROSS TUBE, 38'-40'	1
19	DRAFT ARM SIDE TUBE, 38'-40'	2
20	GUIDE BLOCK, DRAFT ARM PEDESTAL	2
21	LANDING GEAR BRACE TAB	4
22	LANDING GEAR BRACKET COVER	2
23	LANDING GEAR BRACKET, LEFT	1
24	LANDING GEAR BRACKET, RIGHT	1



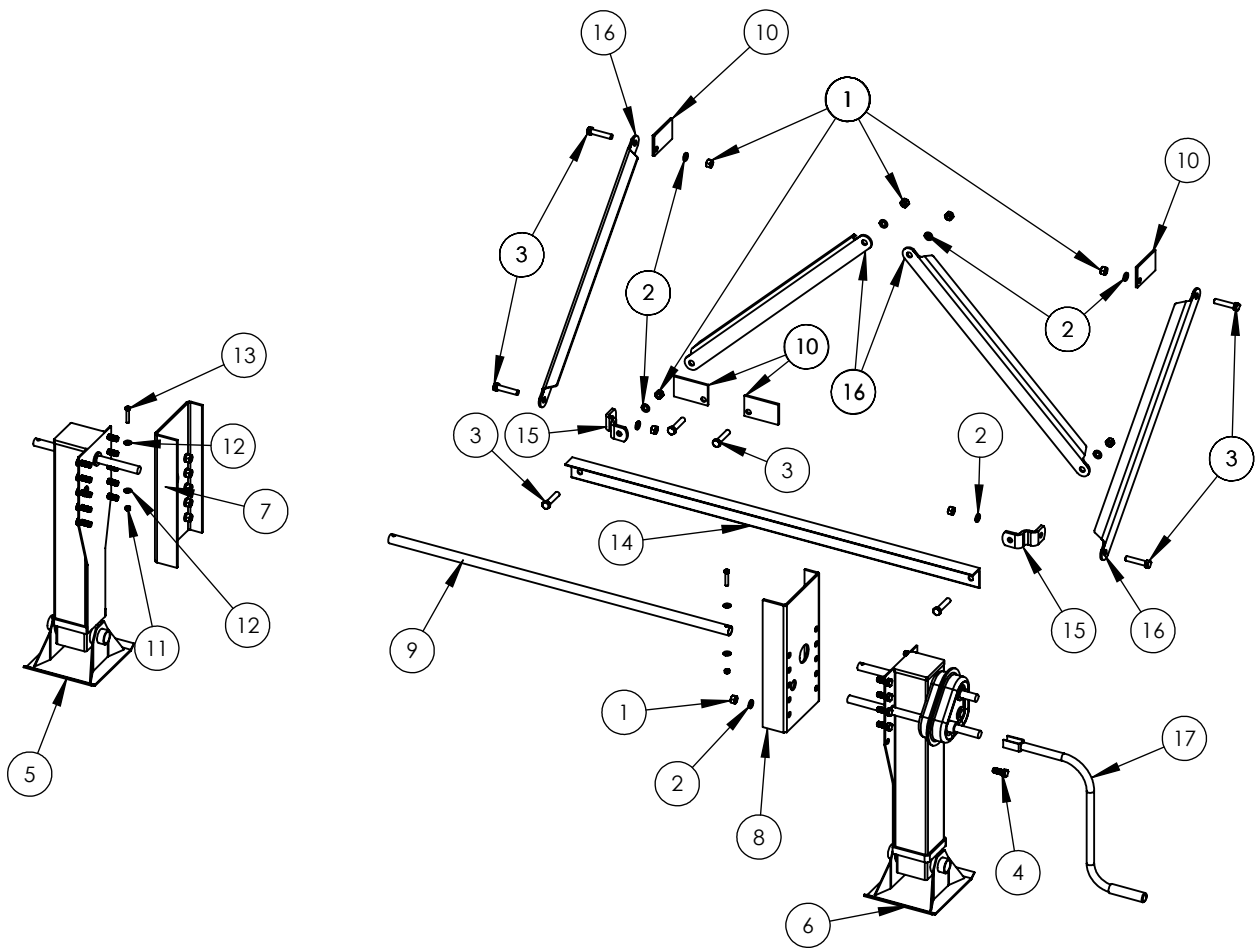
ITEM#	DESCRIPTION	QTY
1	FIFTH WHEEL ASSEMBLY, (PARTS 2-20, 22, 23)	
2	GLADHAND BRACKET, RIGHT	1
3	GLADHAND BRACKET, LEFT	1
4	FIFTH WHEEL PLATE	1
5	KINGPIN	1
6	FIFTH WHEEL CHANNEL	2
7	INSIDE CRADLE PLATE	4
8	CRADLE DOM	2
9	CRADLE DOM GUSSET	4
10	GUIDE TAB	2
11	OUTSIDE CRADLE PLATE	2
12	DRAFT ARM FRONT PIN BUSHING SUPPORT	2
13	DRAFT ARM FRONT PIN BUSHING SUPPORT GUSSET	2
14	FRONT DRAFT ARM PIN	2
15	LOCKNUT, 1/2-13 UNC	6
16	DRAFT ARM PIN BUSHING	2
17	BOLT, 1/2-13 UNC X 3.5"	2
18	KINGPIN PLATE	1
19	CYLINDER PIN SIDE PLATE	2
20	CYLINDER PIN	1
21	EMERGENCY GLADHAND COUPLER, SEE PAGE 20-21	
22	BOLT, 1/2-13 UNC X 2"	4
23	LOWER CYLINDER MOUNT	2
24	SERVICE GLADHAND COUPLER, SEE PAGE 20-21	
25	7 PIN RECEPTACLE, SEE PAGE 19	



ITEM#	DESCRIPTION	QTY
1	AMBER CLEARANCE LIGHT	2
2	TWO WIRE PLUG	5
3	BOLT, 1/4-20 UNC X 1"	2
4	FLAT WASHER, 1/4"	2
5	7 PIN RECEPTACLE	1
6	7 PIN RECEPTACLE BOOT	1
7	NUT, 1/4-20 UNC	4
8	SIDE CLEARANCE LIGHT WIRE	2
9	MIDDLE SIDE LIGHT	2
10	3 WIRE PLUG	2
11	MIDDLE SIDE DROPPER WIRE	2
12	FEMALE CRIMP PLUG	6
13	MALE CRIMP PLUG	7
14	MIDDLE SIDE SIGNAL LIGHT WIRE	2
15	ABS SENSOR	2
16	ABS SENSOR WIRE	2
17	ECU/VALVE ASSEMBLY	1
18	ECU WIRE	1
19	ABS LIGHT WIRE	1
20	ABS LIGHT	1
21	BOLT, 1/4-20 UNC X 1.5"	2
22	7 WIRE HARNESS	1
23	REAR WIRING HARNESS (SOLD WITH ITEM 22)	1
24	RED CLEARANCE LIGHT	5
25	REAR CLEARANCE LIGHT WIRE	1
26	LICENSE PLATE BRACKET WITH LIGHT	1
27	SIGNAL LIGHT PLUG	2
28	TALLIGHT	4
29	LOCK WASHER, 1/4"	2
30	64 TWO WIRE PIGTAIL	2

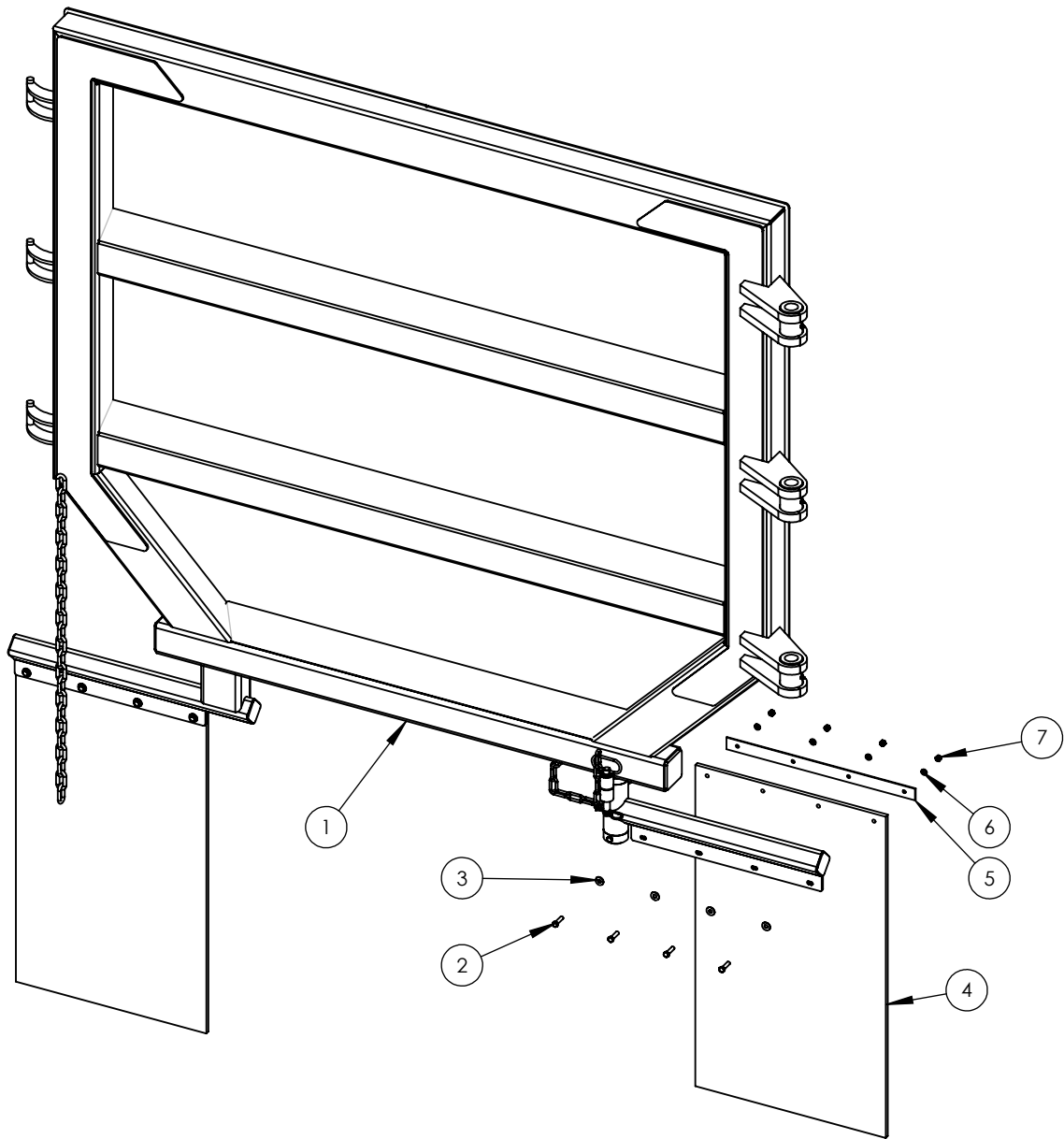




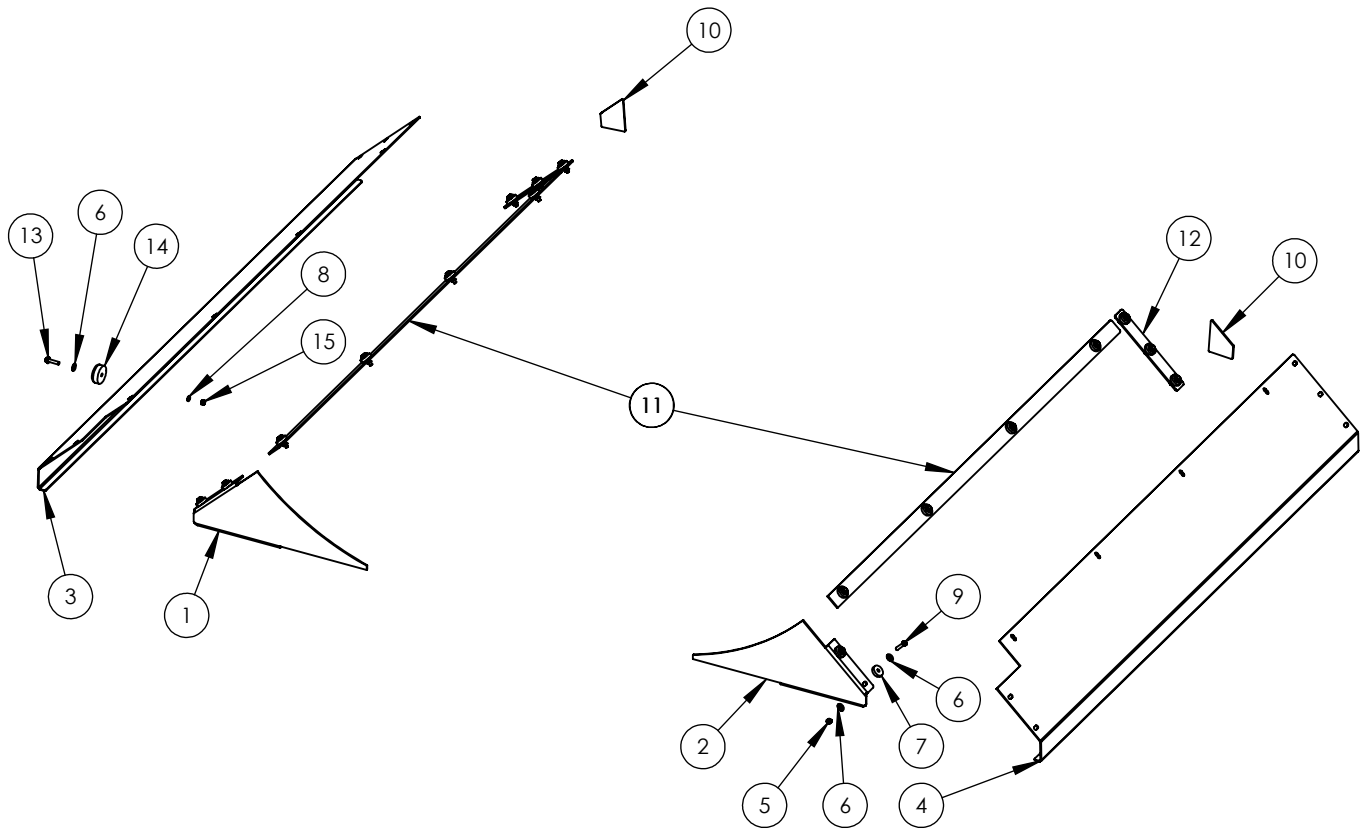


ITEM#	DESCRIPTION	QTY
1	NUT, 5/8-11 UNC	28
2	LOCKWASHER, 5/8"	28
3	BOLT, 5/8-11 UNC X 2"	8
4	BOLT, 5/8-11 UNC X 1.5"	20
5	LANDING GEAR LEG, RIGHT	1
6	LANDING GEAR LEG, LEFT	1
7	LANDING GEAR BRACKET, RIGHT	1
8	LANDING GEAR BRACKET, LEFT	1
9	LANDING GEAR SHAFT	1
10	LANDING GEAR BRACE TAB	1
11	LOCKNUT, 3/8-16 UNC	2
12	FLAT WASHER, 3/8"	4
13	BOLT, 3/8-16 UNC X 2"	2
14	CROSS BRACE	1
15	W BRACKET (INCLUDED WITH LEGS)	2
16	ANGLE BRACE	4
17	LANDING GEAR CRANK HANDLE	1

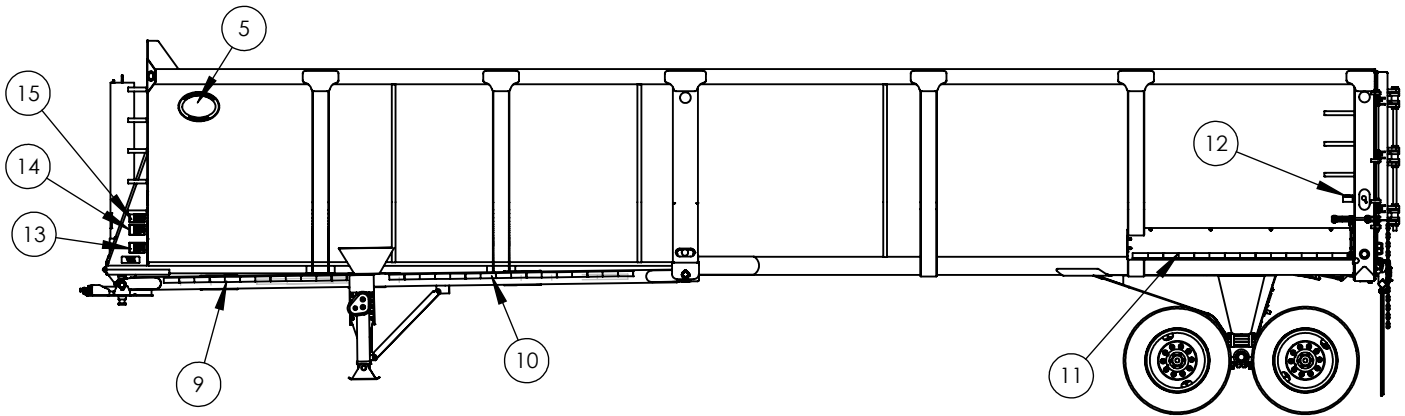
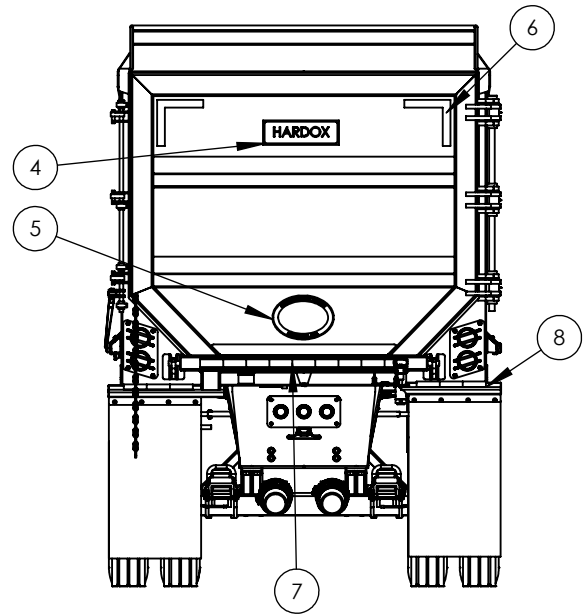
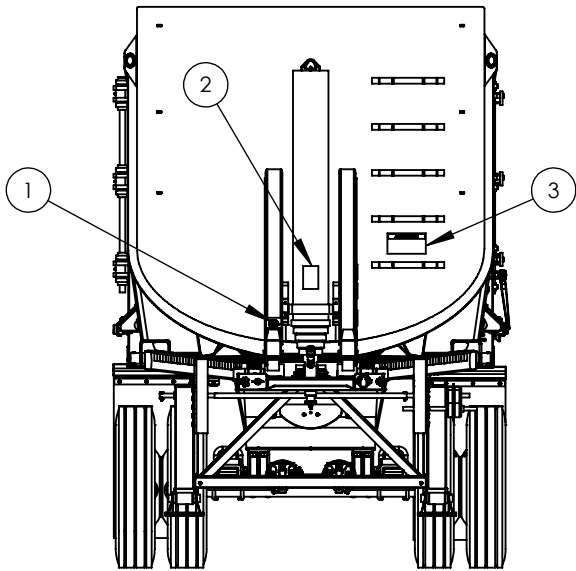




ITEM#	DESCRIPTION	QTY
1	REAR DOOR ASSEMBLY, 76"	
2	BOLT, 3/8-16 UNC X 1.5"	8
3	FLAT WASHER, 3/8"	8
4	MUDFLAP, BLACK POLY	2
5	MUDFLAP WASHER PLATE	2
6	LOCKWASHER, 3/8"	8
7	NUT, 3/8-16 UNC	8



ITEM#	DESCRIPTION	QTY
1	RIGHT FRONT FENDER BRACKET	1
2	LEFT FRONT FENDER BRACKET	1
3	RIGHT FENDER	1
4	LEFT FENDER	1
5	LOCKNUT, 3/8-16 UNC	18
6	FLAT WASHER, 3/8"	37
7	RUBBER WASHER	18
8	LOCKWASHER, 3/8"	1
9	BOLT, 3/8-16 UNC X 1.5"	18
10	REAR FENDER BRACKET GUSSET	2
11	MIDDLE FENDER BRACKET	2
12	REAR FENDER BRACKET	2
13	BOLT, 3/8-16 UNC X 1.5" WASHER HEAD SLOTTED	1
14	RUBBER BUMPER	1
15	NUT, 3/8-16 UNC	1



ITEM#	DESCRIPTION	QTY
1	AIR BRAKE ADDITIVE CAUTION DECAL	1
2	LIFT CYLINDER DECAL	1
3	ATTENTION DECAL	1
4	HARDOX DECAL	1
5	CONSTRUCTION TRAILER "ROCK MASTER" DECAL, BOTH SIDES	3
6	REFLECTIVE CONSPICUITY TAPE, WHITE ONLY RIGHT ANGLE, REAR DOOR	2
7	REFLECTIVE CONSPICUITY TAPE, RED AND WHITE, 54", REAR DOOR	1
8	REFLECTIVE CONSPICUITY TAPE, RED AND WHITE, 18", MUDFLAP BRACKETS	2
9	REFLECTIVE CONSPICUITY TAPE, RED AND WHITE, 72", DRAFT ARM SIDE	2
10	REFLECTIVE CONSPICUITY TAPE, RED AND WHITE, 96", DRAFT ARM SIDE	2
11	REFLECTIVE CONSPICUITY TAPE, RED AND WHITE, 84", REAR FENDER	2
12	ABS NOTICE DECAL, LEFT SIDE ONLY	1
13	WARNING: RETORQUE LUG NUTS	1
14	WARNING: USE MATCHED BRAKE COMPONENTS	1
15	DANGER: CAGE BRAKES	1
16	ELLIPTICAL LABEL KIT, CONTAINS ITEMS 1,3,5,12-15	1