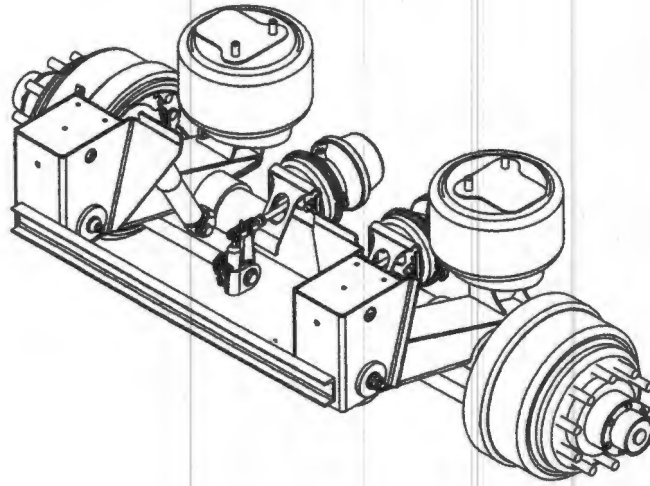


PARTS BOOK



SUSPENSIONS AND SUBFRAMES

CONSTRUCTION TRAILER SPECIALISTS, INC.

2535 ROSE PARKWAY
SIKESTON, MO 63801
TOLL FREE: 888-669-0003
PH: 573-481-0941
FX: 573-481-0953
E-MAIL:trailers@sbmu.net
www.constructiontrailerspecialists.com

Thanks for choosing Construction Trailer Specialists, Inc., we manufacture a line of trailers in a size to fit your needs.

-End dump trailers in Light Weight, Half Round or Elliptical configurations available Frameless, Quarter Frame or Full Frame. Elliptical scrap/demo trailers available in lengths from 22 to 40 ft, with 46-100 inch sides.

-Bottom dump trailers in 32-42 ft lengths, with Low Profile, Lightweight, and Insulated Hot Mix versions available.

-Grain trailers in 34-42 ft lengths.

-Walking floor trailers, Open Top Vans

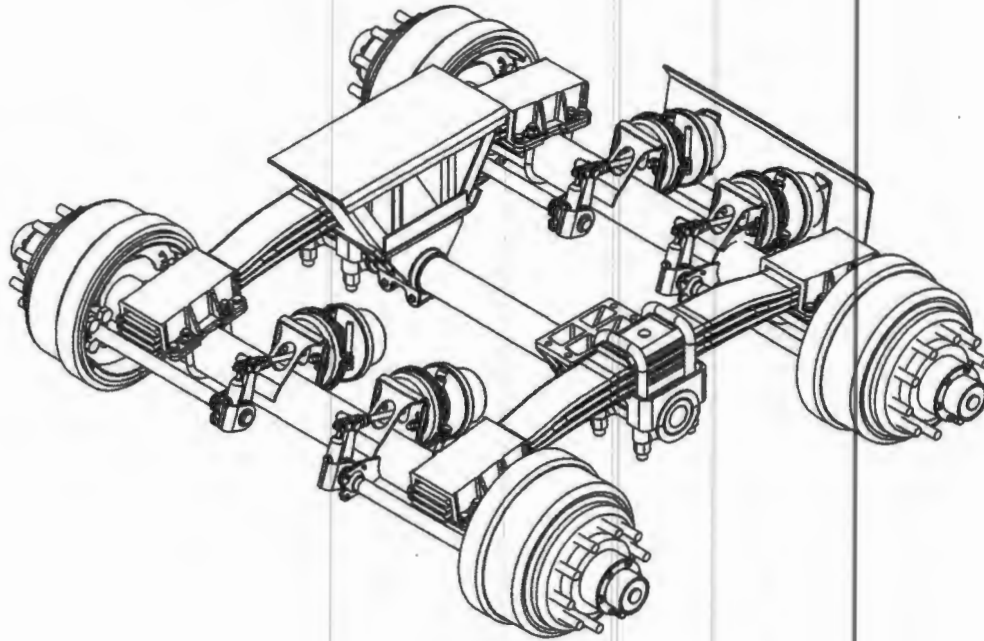
-In addition, we offer a variety of suspension and tarp options to suit your needs.

When ordering parts be sure to have the trailer's vehicle identification number (VIN) at hand so we can be sure to get you the correct parts for your trailer.

Remember this parts book is for a "standard" trailer, if your trailer is not standard dimensions some parts may not interchange with those listed here, contact the factory if you are unsure.

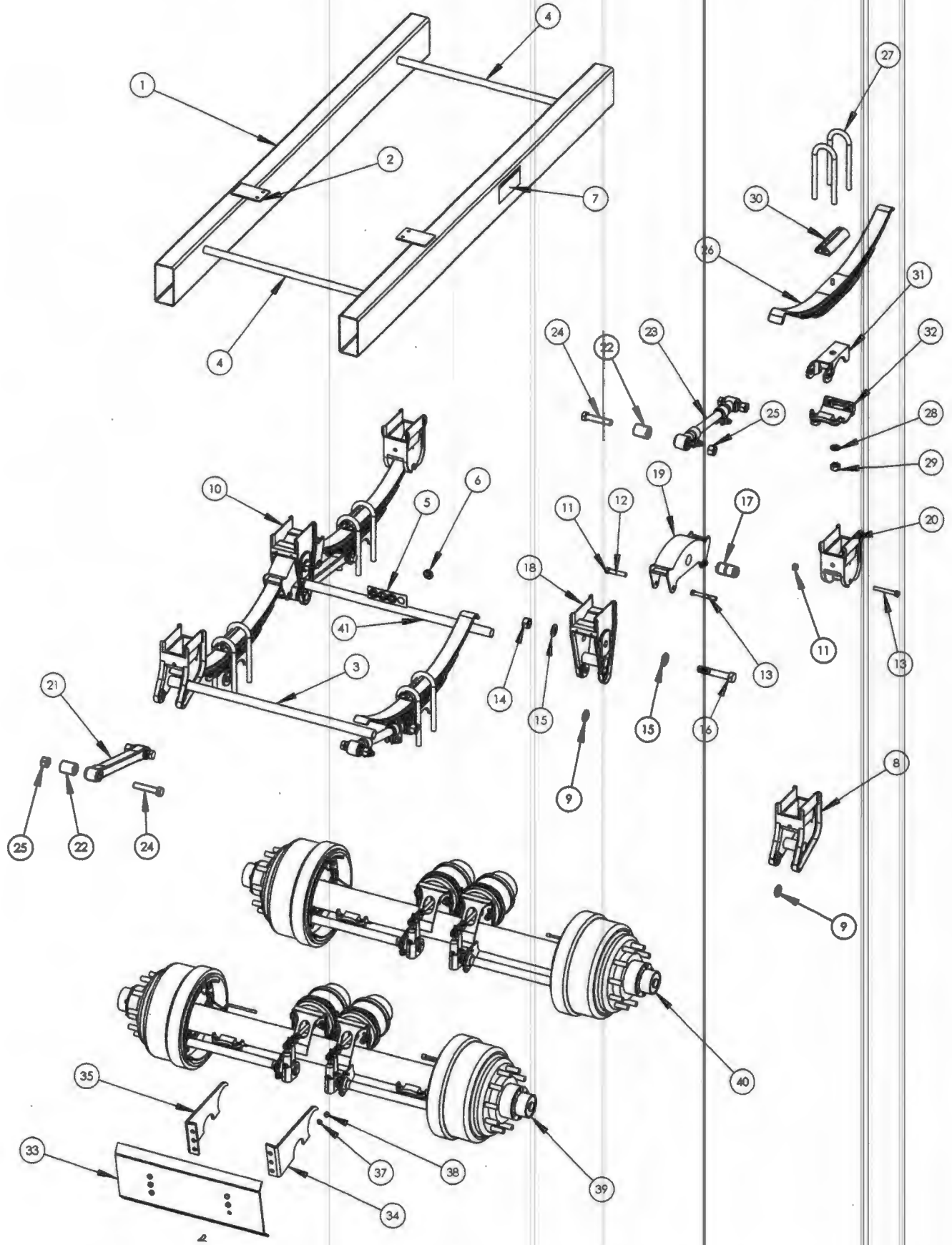
We will be working on, adding to, and improving this and other parts books in the near future. We welcome any comments or suggestions on how we may make them work better for you. Thanks again!!!

TABLE OF CONTENTS



DESCRIPTION	PAGE
BOTTOM DUMP & GRAIN HOPPER 9700 SUSPENSION	2-3
BOTTOM DUMP & GRAIN HOPPER 96" WIDE AIR RIDE SUBFRAME	4
BOTTOM DUMP & GRAIN HOPPER 102" WIDE AIR RIDE SUBFRAME	5
BOTTOM DUMP 10-2 SPREAD AXLE AIR RIDE SUBFRAME WITH REAR AXLE LIFT KIT	6
BOTTOM DUMP TANDEM AIR RIDE	7
BOTTOM DUMP TRIPLE AXLE SPRING RIDE	8
HALF ROUND / ELLIPTICAL FRAMELESS BOGEY POD	9
BOTTOM DUMP SINGLE POINT SUSPENSION SUBFRAME	10
HALF ROUND / ELLIPTICAL TRIPLE AIR RIDE SUBFRAME WITH LIFT AXLE	11
QUARTER FRAME SUBFRAME	12-13
HALF ROUND / ELLIPTICAL TRIPLE AXLE SUBFRAME H900 WITH AIR RIDE AIR LIFT AXLE	14-15
HALF ROUND / ELLIPTICAL FULL FRAME	16-17
BOTTOM DUMP TRIPLE AXLE SUBFRAME AIR RIDE AIR LIFT FRONT, REAR 9700 TANDEM	18-19
RAR260 AIR RIDE SUSPENSION	20
BLANK PAGE	21
H900 SINGLE POINT SUSPENSION	22-23

BOTTOM DUMP & GRAIN HOPPER TANDEM AXLE 9700 SUSPENSION

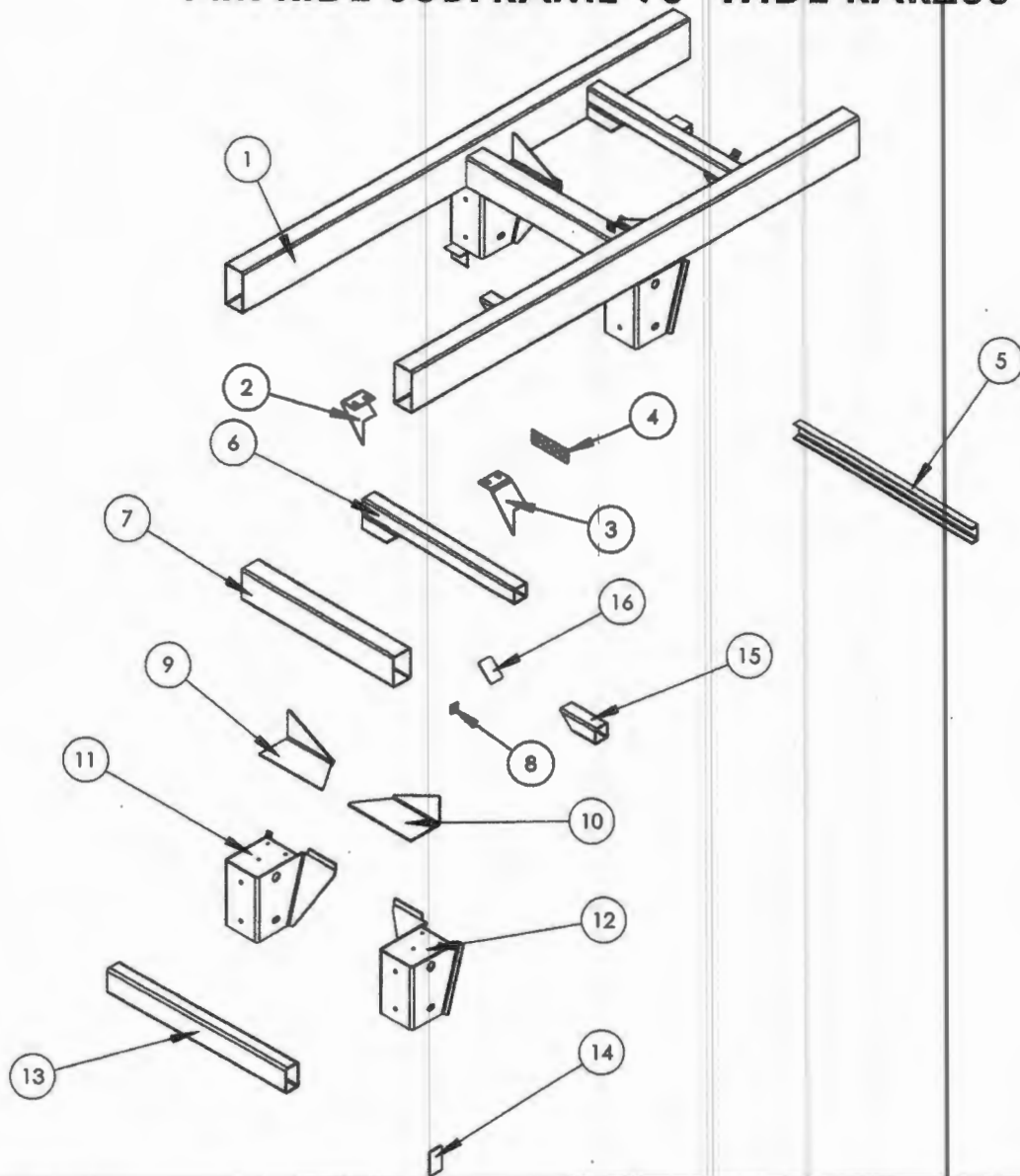


BOTTOM DUMP & GRAIN HOPPER TANDEM AXLE 9700 SUSPENSION

ITEM #	PART #	DESCRIPTION	QTY
1	MFG0025	BOTTOM DUMP SUSPENSION FRAME TUBE	2
1	MFG0446	GRAINHOPPER SUSPENSION FRAME TUBE	2
2	MFG0026	AIR TANK MOUNTING PLATE	2
3	MFG0027	HANGER CROSS TUBE	1
4	MFG0028	FRAME RAIL CROSS TUBE	2
5	MFG0029	AIRLINE LOOM	1
6	MIC9600K51	1" GROMMET	4
7		HUTCH DECAL	1
8	SUS7701-01	FRONT SPRING HANGER	2
9	SUS7717-01	REPLACEMENT WASHER FOR FRONT AND ROCKER HANGER	4
10	SUS16319-01	ROCKER HANGER ASSEMBLY	2
11	SUS37-03	NUT, 5/8-18 UNF GRB	6
12	SUS756-00	SPACER	6
13	SUS759-00	BOLT, 5/8-18 UNF X 4.5" GR2	6
14	SUS11154-00	LOCKNUT, 1 1/8-7 UNC GR5 (REPLACEMENT)	2
15	SUS837-00	WASHER, 1 1/4 ID X 2 1/4 OD X 1/8 THK (REPLACEMENT)	4
16	SUS16150-01	BOLT, 1 1/8-7 UNC X 6.62" GR5 (REPLACEMENT)	2
17	SUS18723-01	ROCKER BUSHING	2
18	SUS16169-01	ROCKER HANGER	2
19	SUS16158-01	ROCKER	2
20	SUS7703-01	REAR HANGER	2
21	SUS715-00	RADIUS ROD, NON ADJUSTABLE	2
22	SUS722-00	RADIUS ROD BUSHING, REPLACEMENT	8
23	SUS16398-04	RADIUS ROD, ADJUSTABLE	2
24	SUS719-02	BOLT, 1"-14 UNS X 5"	8
25	SUS10562-00	FLANGE LOCKNUT, 1"-14 UNS GRF	8
26	SUS365-00	SPRING ASSEMBLY	4
27	SUS7040-08	U-BOLT, 7/8"	8
28	SUS35-00	WASHER, 15/16 ID X 1 3/4 OD X 1/8 THK	16
29	SUS34-04	NUT, 7/8-14 UNF	16
30	SUS16868-01	TOP PLATE	4
31	SUS19360-01	SPRING SEAT/RADIUS ROD MOUNT	4
32	SUS710-00	BOTTOM PLATE	4
33	MFG0030	WINDROW DEFLECTOR PLATE, BOTTOM DUMP	1
34	MFG0031	WINDROW DEFLECTOR BRACKET LEFT, BOTTOM DUMP	1
35	MFG0032	WINDROW DEFLECTOR BRACKET RIGHT, BOTTOM DUMP	1
36	N&B4822	BOLT, 1/2-13 UNC X 1.5", BOTTOM DUMP	6
37	N&B5550	LOCK WASHER, 1/2", BOTTOM DUMP	6
38	N&B1550	NUT, 1/2-13, BOTTOM DUMP	6
39	AXLTQ4671QH5950	FRONT AXLE	1
40	AXLTQ4670QH5948	REAR AXLE	1
41	MFG0496	ROCKER HANGER CROSS TUBE	1

highlighted items are not used on grain hopper trailers

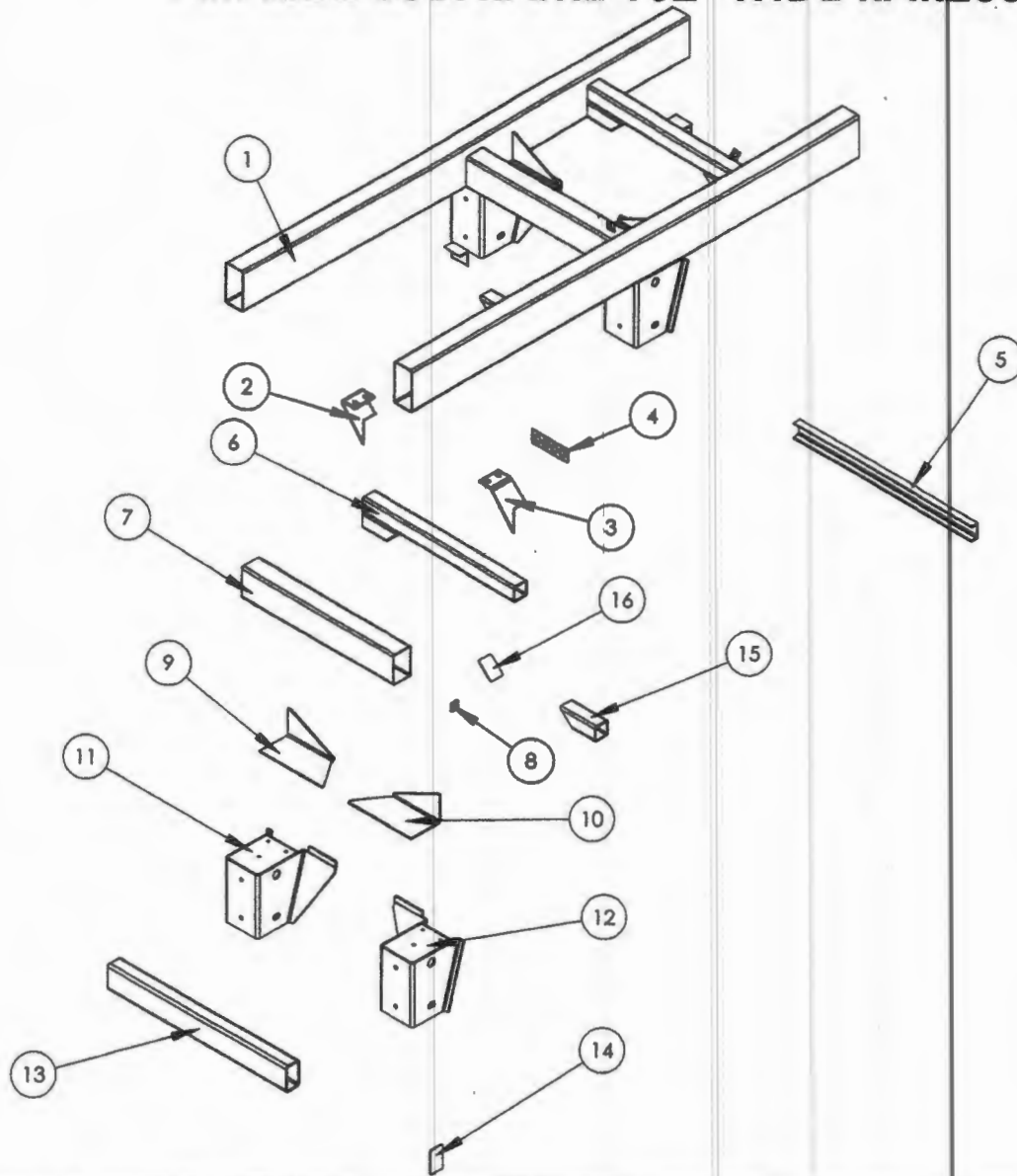
BOTTOM DUMP & GRAINHOPPER AIR RIDE SUBFRAME 96" WIDE RAR260



ITEM #	PART#	DESCRIPTION	QTY
	ASY0032	RAR260 AIR RIDE SUBFRAME ASSEMBLY, NO LIFTS, ALL ITEMS EXCEPT 11-12	
1	MFG0025	BOTTOM DUMP, SUSPENSION FRAME TUBE	2
1	MFG0446	GRAINHOPPER, SUSPENSION FRAME TUBE	2
2	MFG0527	AIR RIDE TANK BRACKET RIGHT	1
3	MFG0526	AIR RIDE TANK BRACKET LEFT	1
4	MFG0029	FOUR HOLE LOOM	1
5	MFG0534	3" CHANNEL AIR RIDE HANGER BRACE	1*
6	MFG0588	3" X 3" AIR BAG SUPPORT CROSSMEMBER	2
7	MFG0529	6" X 4" AIR RIDE HANGER CROSSMEMBER	2
8	MFG0532	SINGLE HOLE LOOM	3
9	MFG0530	AIR RIDE PEDISTAL RIGHT	2
10	MFG0531	AIR RIDE PEDISTAL LEFT	2
11	SUS3260189	AIR RIDE SUSPENSION HANGER RIGHT	2
12	SUS3260188	AIR RIDE SUSPENSION HANGER LEFT	2
13	MFG0525	5" X 3" AIR RIDE SUSPENSION DEFLECTOR TUBE	1
14	MFG0533	5" X 3" TUBING CAP	2
15	MFG0587	LOWER CROSSMEMBER BRACE	4
16	MFG0586	LOWER CROSSMEMBER BRACE CAP	4

HIGHLIGHTED ITEMS BOTTOM DUMP ONLY
* USE 2 CHANNELS ON GRAIN HOPPER TRAILERS

BOTTOM DUMP & GRAINHOPPER AIR RIDE SUBFRAME 102" WIDE RAR260

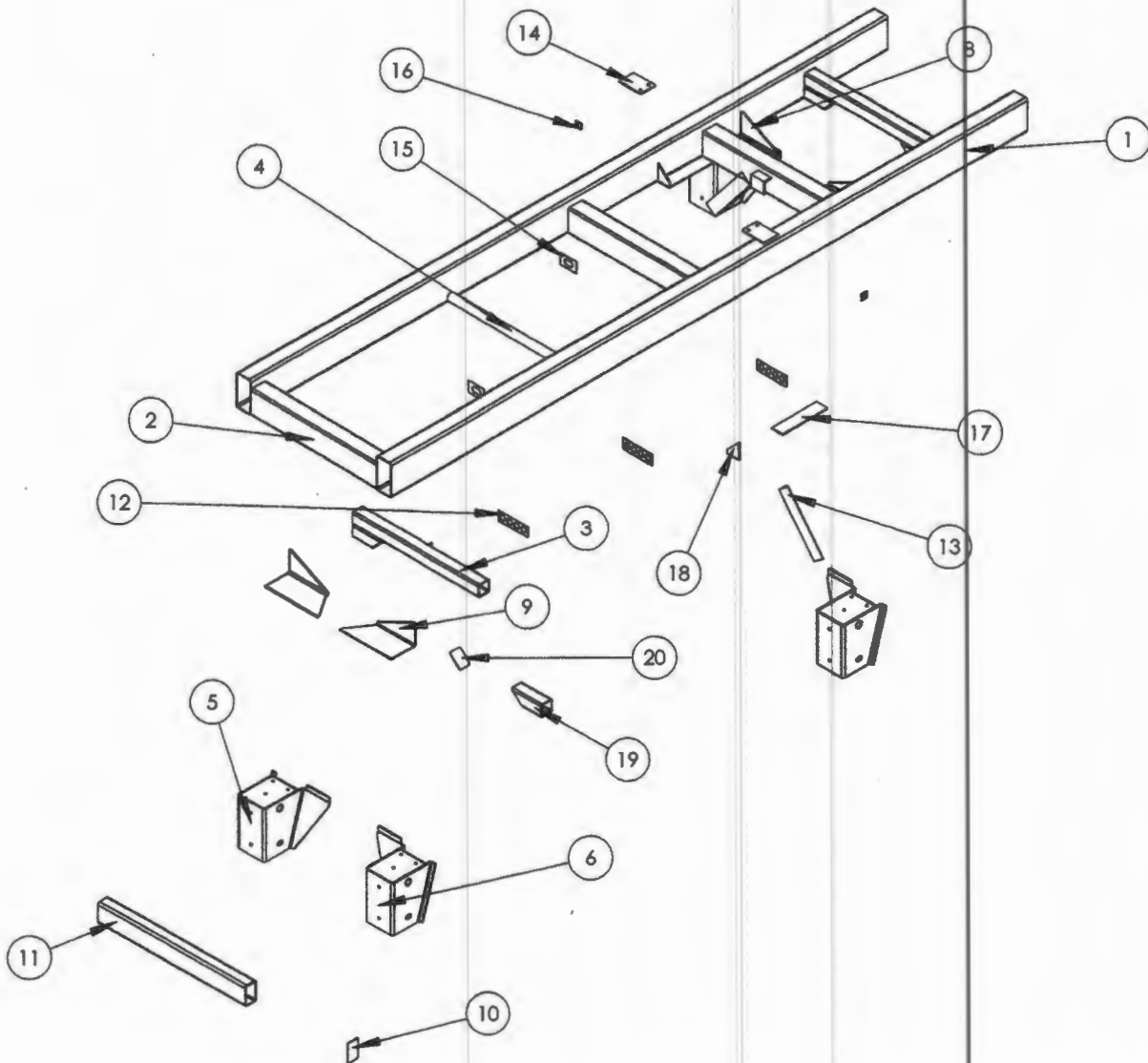


ITEM #	PART#	DESCRIPTION	QTY
	ASY0032	RAR260 AIR RIDE SUBFRAME ASSEMBLY, NO LIFTS, ALL ITEMS EXCEPT 11-12	
1	MFG0025	BOTTOM DUMP, SUSPENSION FRAME TUBE	2
1	MFG0446	GRAINHOPPER, SUSPENSION FRAME TUBE	2
2	MFG0527	AIR RIDE TANK BRACKET RIGHT	1
3	MFG0526	AIR RIDE TANK BRACKET LEFT	1
4	MFG0029	FOUR HOLE LOOM	1
5	MFG0540	3" CHANNEL AIR RIDE HANGER BRACE	1*
6	MFG0929	3" X 3" AIR BAG SUPPORT CROSSMEMBER	2
7	MFG0928	6" X 4" AIR RIDE HANGER CROSSMEMBER	2
8	MFG0532	SINGLE HOLE LOOM	3
9	MFG0530	AIR RIDE PEDISTAL RIGHT	2
10	MFG0531	AIR RIDE PEDISTAL LEFT	2
11	SUS3260189	AIR RIDE SUSPENSION HANGER RIGHT	2
12	SUS3260188	AIR RIDE SUSPENSION HANGER LEFT	2
13	MFG2542	5" X 3" AIR RIDE SUSPENSION DEFLECTOR TUBE	1
14	MFG0533	5" X 3" TUBING CAP	2
15	MFG0587	LOWER CROSSMEMBER BRACE	4
16	MFG0586	LOWER CROSSMEMBER BRACE CAP	4

HIGHLIGHTED ITEMS BOTTOM DUMP ONLY

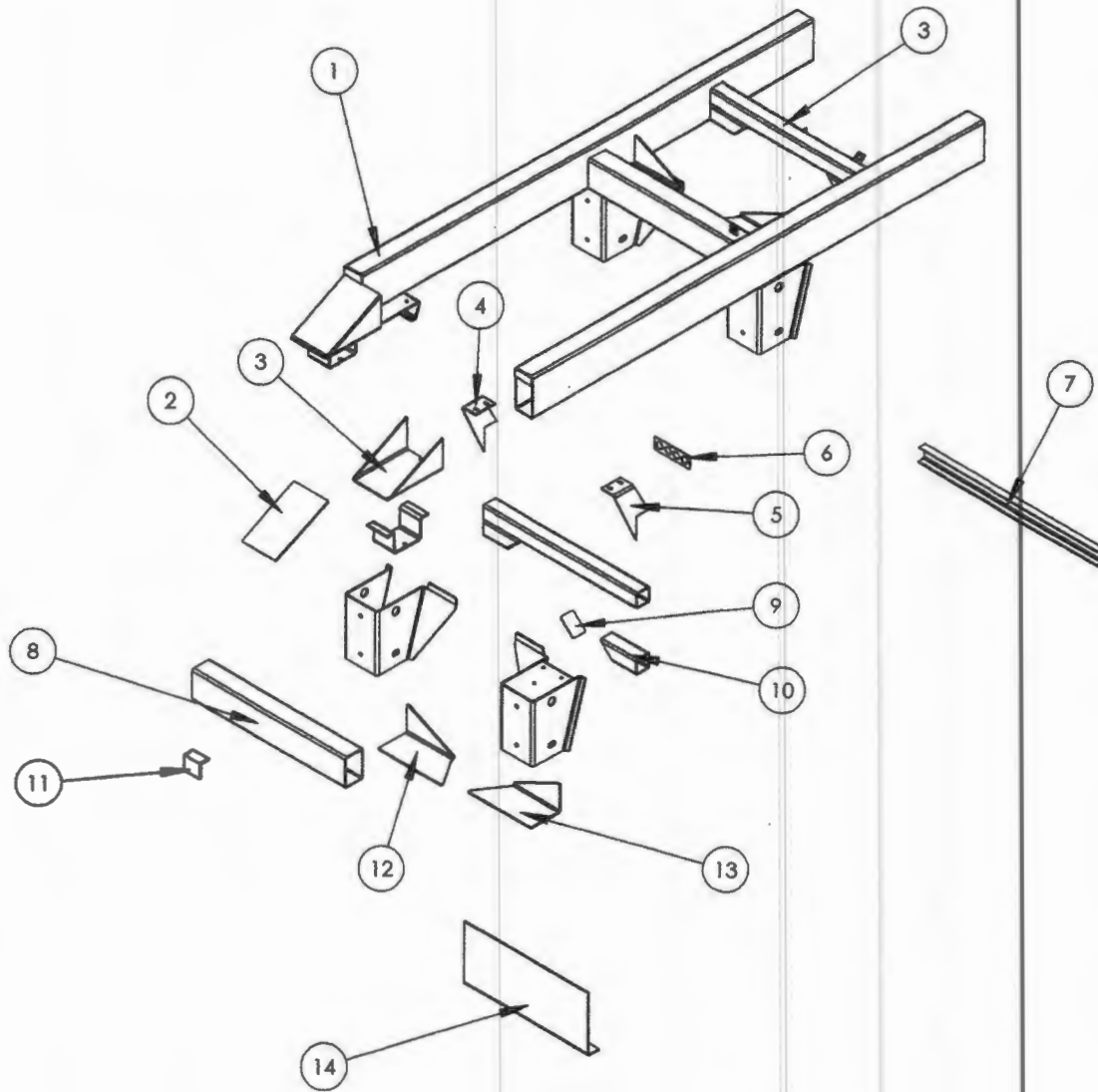
*USE 2 CHANNELS ON GRAIN HOPPER TRAILERS

BOTTOM DUMP 10'-2" SPREAD AXLE AIR RIDE SUBFRAME WITH REAR AXLE LIFT 96" WIDE RAR260



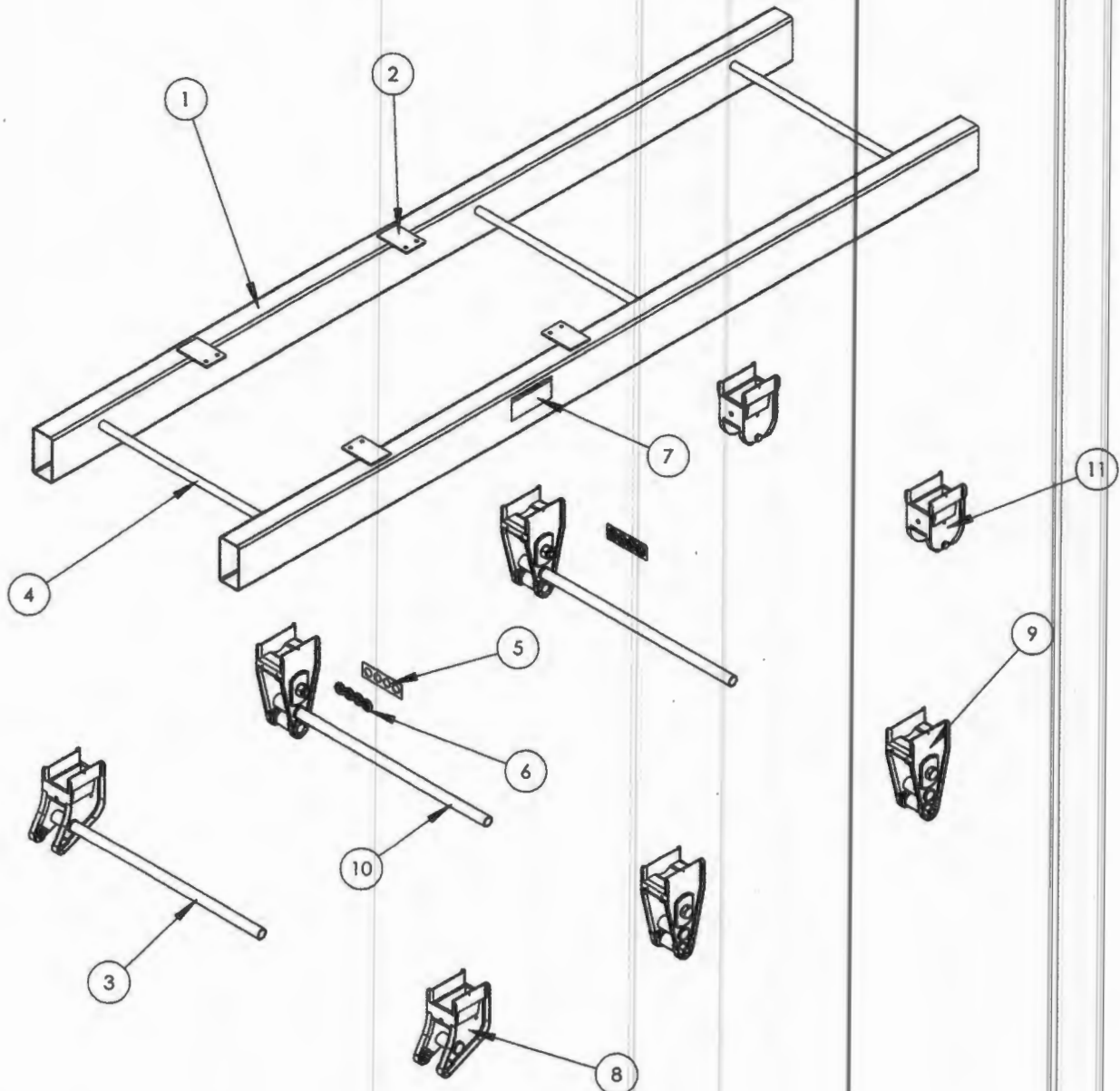
ITEM #	PART#	DESCRIPTION	QTY
1	MFG0550	BOTTOM DUMP SUSPENSION FRAME TUBE	2
2	MFG0529	6x4" AIR RIDE HANGER CROSSMEMBER	3
3	MFG0588	5x3" AIR BAG SUPPORT CROSSMEMBER	2
4	MFG0551	1.5" SCH 40 CROSSMEMBER	1
5	SUS3260189	AIR RIDE SUSPENSION HANGER RIGHT SIDE	2
7	SUS3260188	AIR RIDE SUSPENSION HANGER LEFT SIDE	2
8	MFG0530	AIR RIDE PEDISTAL GUSSET LEFT SIDE	2
9	MFG0531	AIR RIDE PEDISTAL GUSSET RIGHT SIDE	2
10	MFG0533	5x3" TUBING CAP	2
11	MFG0525	5X3" AIR RIDE SUSPENSION WINDROW DEFLECTOR TUBE	1
12	MFG0029	4 HOLE LOOM	3
13	MFG0552	AIR RIDE LIFT AXLE SUPPORT BRACE	2
14	MFG0026	AIR TANK BRACKET	2
15	MFG0055	OVAL LOOM	2
16	MFG0532	SINGLE HOLE LOOM	3
17	MFG0552	AIR RIDE LIFT BAG SUPPORT BRACKET	2
18	MFG0553	AIR RIDE LIFT BAG SUPPORT GUSSET	2
19	MFG0587	AIR BAG CROSSMEMBER GUSSET TUBE	
20	MFG0586	TUBE CAP	

BOTTOM DUMP TANDEM AIR RIDE WITH FRONT AXLE AIR LIFT 96" WIDE RAR260



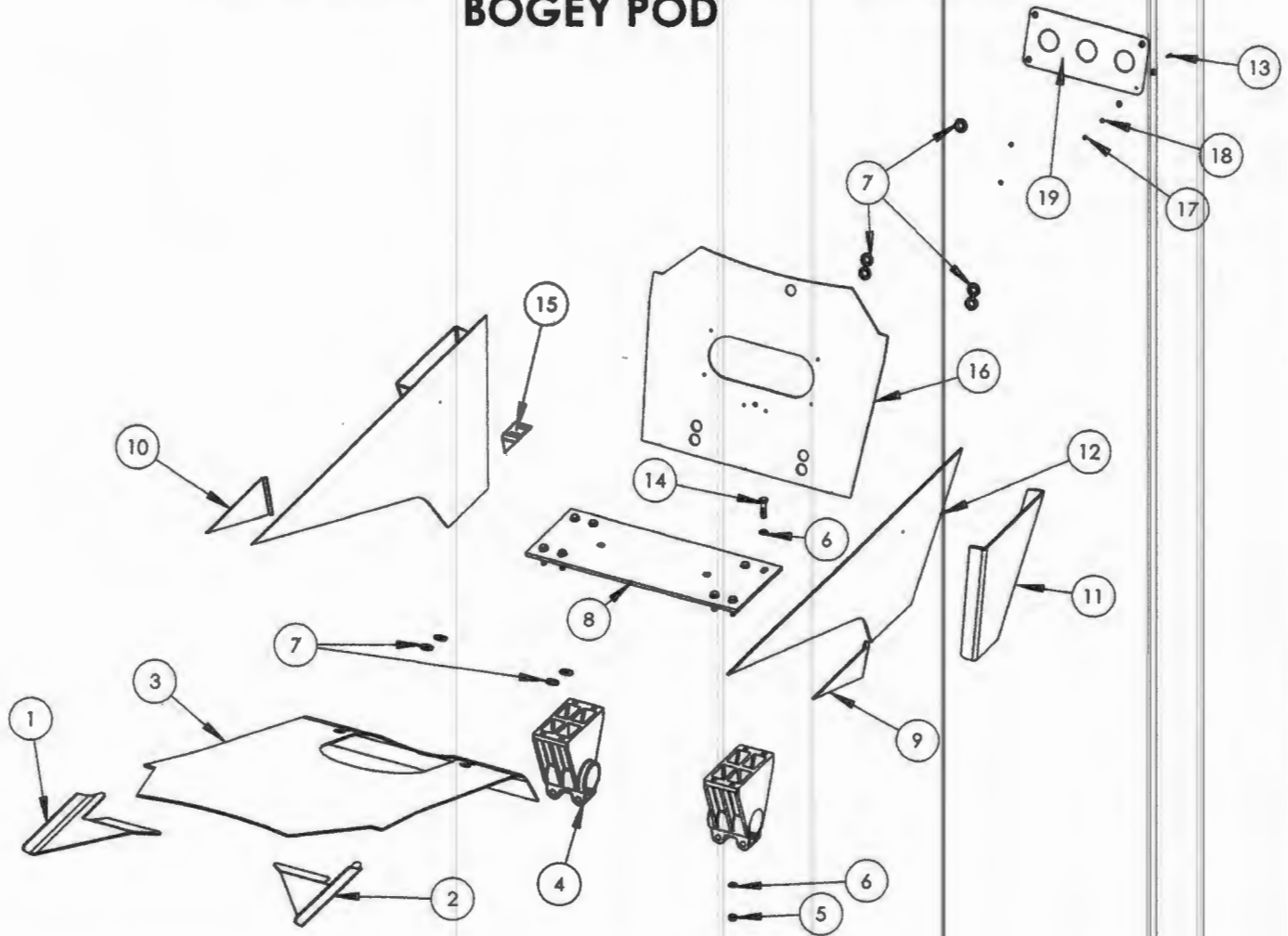
ITEM #	PART#	DESCRIPTION	QTY
1	MFG0025	BOTTOM DUMP SUSPENSION FRAME TUBE	2
2	MFG0591	FRONT AIR LIFT GUSSET CLOSE-OFF PLATE	2
3	MFG0590	FRONT AIR LIFT GUSSET CLOSE-OFF PLATE	2
4	MFG0527	AIR RIDE TANK BRACKET RIGHT	1
5	MFG0526	AIR RIDE TANK BRACKET LEFT	1
6	MFG0029	FOUR HOLE LOOM	1
7	MFG0534	AIR RIDE HANGER BRACE (NON AIR LIFT)	1
8	MFG0529	6"X4" AIR RIDE HANGER CROSSMEMBER	2
9	MFG0586	3" X4" TUBE CAP	4
10	MFG0587	AIR BAG SUPPORT LOWER COSSMEMBER BRACKET	4
11	MFG0592	AIR LIFT QUICK EXHAUST BRACKET	1
12	MFG0530	AIR RIDE PEDISTAL RIGHT	2
13	MFG0531	AIR RIDE PEDISTAL LEFT	2
14	MFG0589	AIR RIDE AIR LIFT FRONT HANGER WINDROW BRACE	1

BOTTOM DUMP & GRAINHOPPER TRIPLE AXLE SPRINGRIDE 9700 SUSPENSION



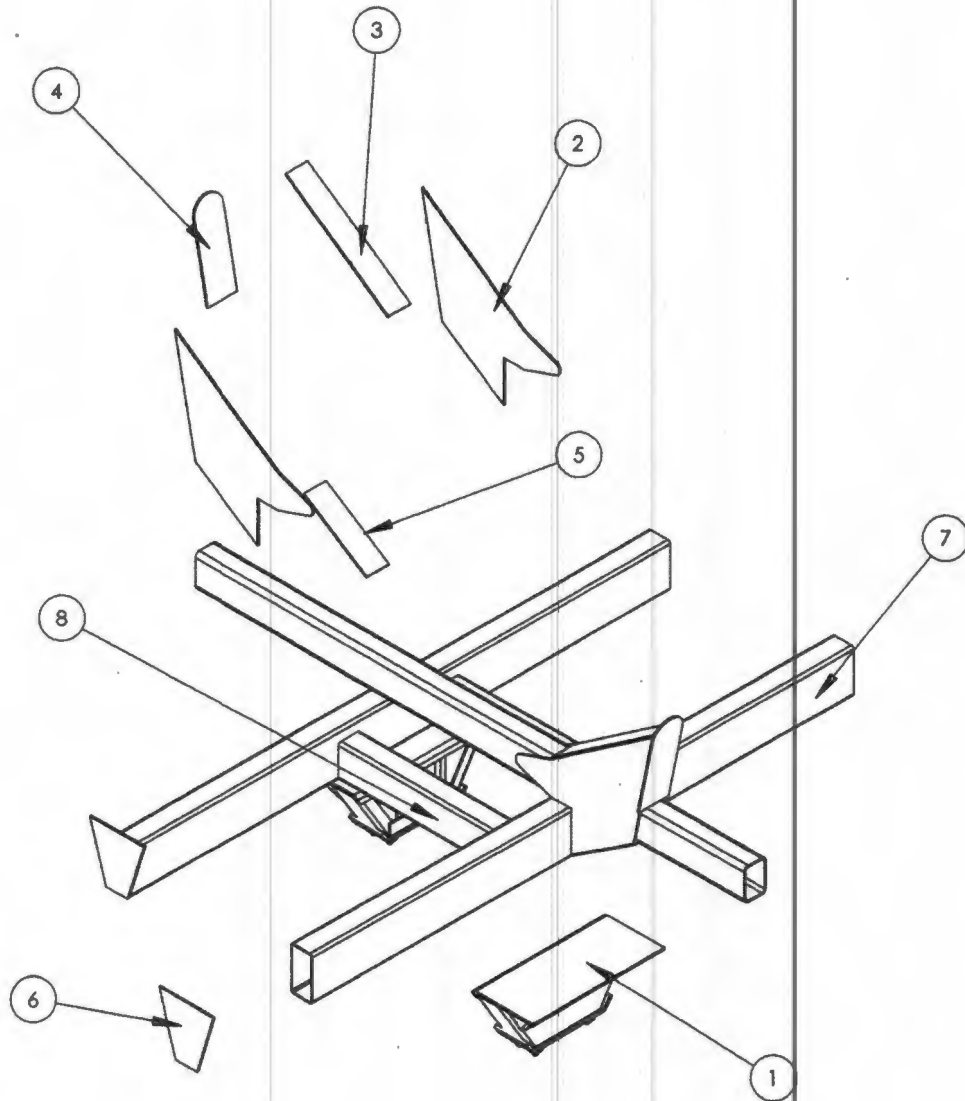
ITEM #	PART#	DESCRIPTION	QTY
1	MFG0584	BOTTOM DUMP TRIPLE AXLE FRAME TUBE	2
1	MFG0585	GRAINHOPPER TRIPLE AXLE FRAME TUBE	2
2	MFG0026	AIR TANK MOUNTING PLATE	4
3	MFG0027	FRONT HANGER CROSS TUBE	1
4	MFG0028	FRAME RAIL CROSS TUBE	3
5	MFG0029	4 HOLE LOOM	2
6	MIC9600K51	1" GROMMET	8
7		HUTCH DECAL	1
8	SUS7701-01	FRONT SPRING HANGER	2
9	SUS16169-01	ROCKER HANGER	4
10	MFG0496	ROCKER HANGER CROSS TUBE	2
11	SUS7703-01	REAR HANGER	2

HALF ROUND AND ELLIPTICAL FRAMELESS BOGEY POD



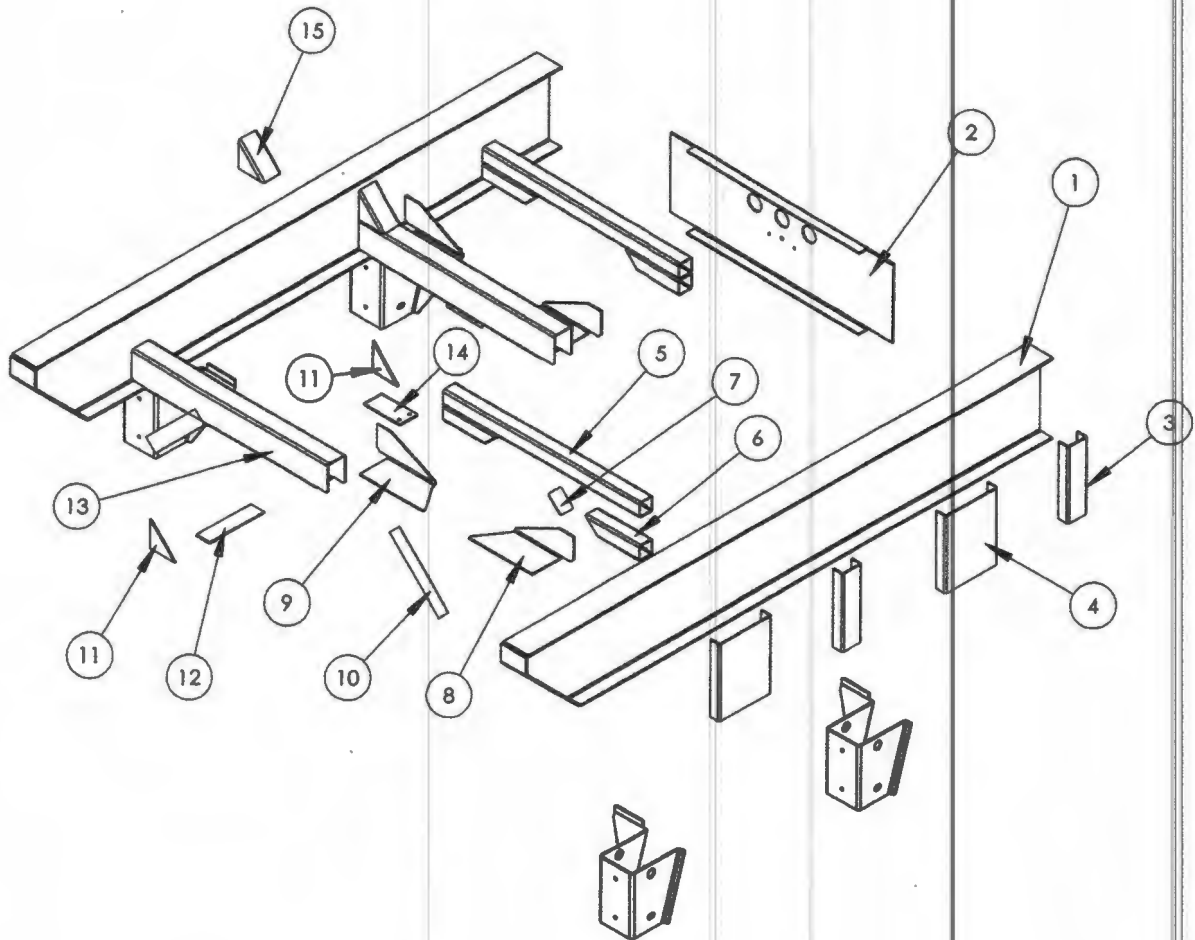
ITEM#	PART#	DESCRIPTION	QTY
	ASY0201	HALF ROUND BOGEY POD ASSEMBLY, INCLUDES ITEMS (1-2,3B, 8-12, 15,16B)	
	ASY0102	ELLIPTICAL BOGEY POD ASSEMBLY, INCLUDES ITEMS (1-2, 3A, 8-12, 15,16A)	
1	MFG0140	BOGEY POD/LONGITUDINAL FRAME BRACE, RIGHT	1
2	MFG0141	BOGEY POD/LONGITUDINAL FRAME BRACE, LEFT	1
3A	MFG0142	ELLIPTICAL BOGEY POD FRONT PLATE	1
3B	MFG0291	HALF ROUND BOGEY POD FRONT PLATE	1
4		TRUNION HANGER, SEE SINGLEPOINT SUSPENSION	
5	N&B51650	LOCKNUT, 5/8-11 UNC	8
6	N&B4650	5/8" MACHINE BUSHING	16
7	MIC9600K51	1" GROMMET	9
8	MFG0143	BOGEY POD BOTTOM PLATE	1
9	MFG0645	BOGEY POD CORNER GUSSET, LEFT	1
10	MFG0646	BOGEY POD CORNER GUSSET, RIGHT	1
11	MFG0826	BOGEY POD BRACE CHANNEL	2
12	MFG0147	BOGEY POD SIDE PLATE	2
13	N&B4755	BOLT, 1/4-20 UNC X 1.5"	4
14	N&B1666	BOLT, 5/8-11 UNC X 2.25" GR5	8
15	MFG0148	AIRTANK BRACKET	2
16A	MFG0149	ELLIPTICAL BOGEY POD REAR PLATE	1
16B	MFG0290	HALF ROUND BOGEY POD REAR PLATE	
17	N&B1350	NUT, 1/4-20 UNC	4
18	N&B5350	LOCK WASHER, 1/4"	4
19	MFG0150	BOGEY POD REAR COVER PLATE	1

BOTTOM DUMP SINGLE POINT SUSPENSION SUBFRAME



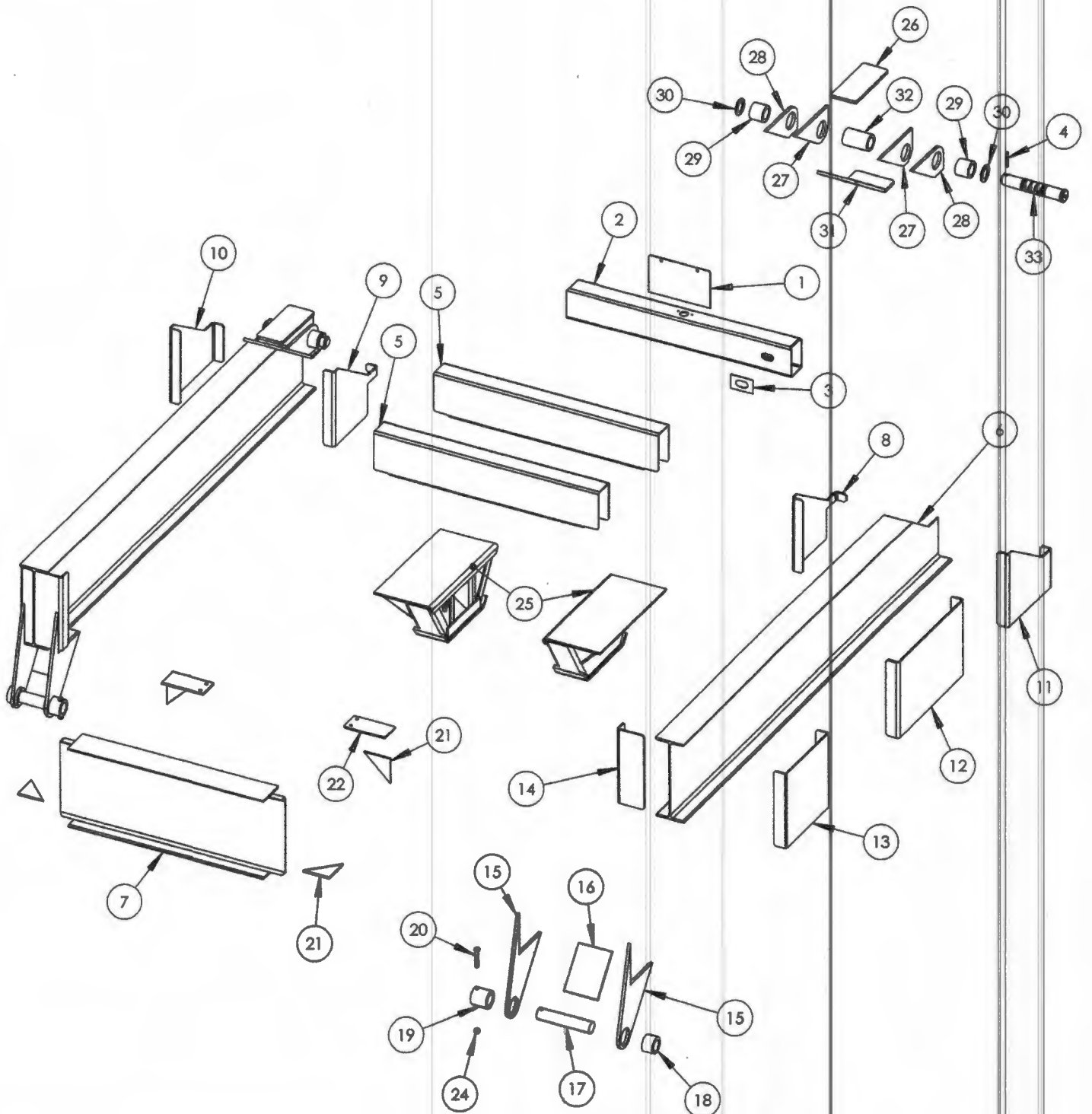
ITEM #	PART#	DESCRIPTION	QTY
1	SUS16793-01	10" SUSPENSION MOUNTING BRACKET	2
2	MFG0501	GUSSET SIDE	4
3	MFG0502	GUSSET TOP PLATE	2
4	MFG0504	GUSSET WELD PLATE	2
5	MFG0503	GUSSET BOTTOM PLATE	2
6	MFG0064	END PLATE FRAME TUBE	2
7	MFG0025	FRAME TUBE	2
8	MFG0538	SINGLE POINT SUBFRAME CROSSMEMBER	2

HALF ROUND / ELLIPTICAL AIR RIDE SUBFRAME WITH LIFT AXLE RAR260 SUSPENSION



ITEM #	PART#	DESCRIPTION	QTY
1	MFG0891	SUBFRAME I BEAM, TANDEM AIR RIDE FRONT AXLE LIFT	2
2	MFG0828	SUBFRAME REAR PLATE, STANDARD	1
2A	MFG828-A	SUBFRAME REAR PLATE, OPTIONAL WITH TAILLIGHTS	
3	MFG0769	AIRBAG CROSSMEMBER BOLSTER	4
4	MFG0768	HANGER CROSSMEMBER BOLSTER	4
5	MFG0301	I BEAM AIRBAG CROSSMEMBER	2
6	MFG1338	I BEAM AIRBAG CROSSMEMBER GUSSET	4
7	MFG0586	I BEAM AIRBAG CROSSMEMBER GUSSET CAP	4
8	MFG0299	I BEAM AIR RIDE PEDISTAL LEFT	2
9	MFG0300	I BEAM AIR RIDE PEDISTAL RIGHT	2
10	MFG0552	HANGER BRACE LIFT AXLE	2
11	MFG0489	5" GUSSET	4
12	MFG0553	LIFT KIT PLATE	2
13	MFG0759	HANGER CROSSMEMBER	2
14	MFG1415	BRAKE TANK MOUNTING PLATE 8"	2
15	MFG0067	TUBE GUSSET	4

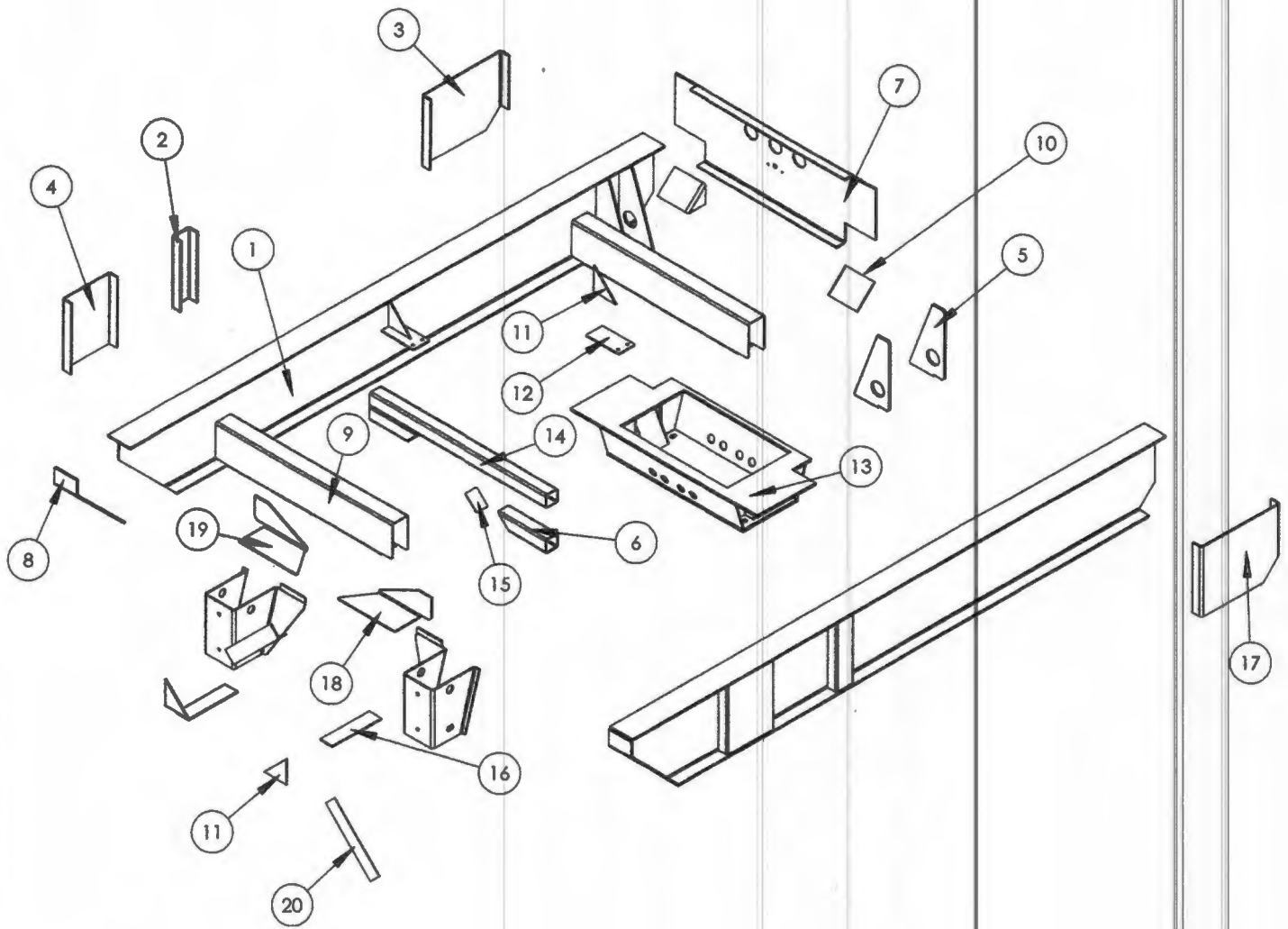
QUARTER FRAME SUBFRAME H900 SUSPENSION



QUARTER FRAME SUBFRAME H900 SUSPENSION

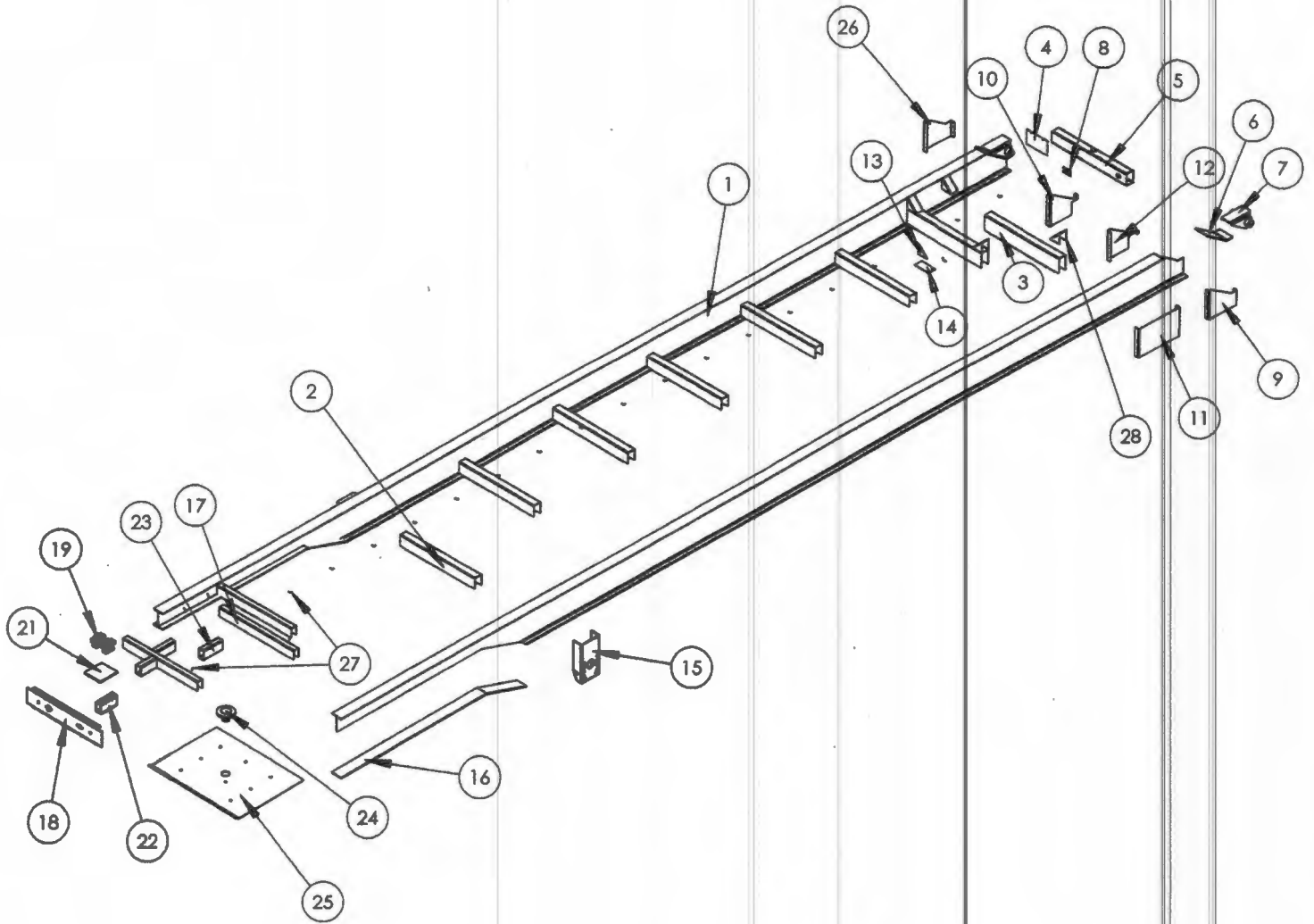
2	MFG0471	SUBFRAME LIGHT TUBE		1
3	MFG0055	AIR LINE AND WIRE LOOM		1
4	MIC70664	ROLL PIN		2
5	MFG0473	SUBFRAME CROSS MEMBER		2
6	MFG0474	SUBFRAME I-BEAM		2
7	MFG0475	SUBFRAME FRONT I-BEAM		1
8	MFG0476	INSIDE CHANNEL, LEFT		1
9	MFG0477	INSIDE CHANNEL, RIGHT		1
10	MFG0478	OUTSIDE CHANNEL, RIGHT		1
11	MFG0479	OUTSIDE CHANNEL, LEFT		1
12	MFG0480	SIDE CHANNEL		2
13	MFG0481	FRONT CHANNEL		2
14	MFG0482	FRONT ANGLE		2
15	MFG0483	SECONDARY MOUNT PLATE		4
16	MFG0484	SECONDARY MOUNT GUSSET		2
17	MFG0485	SECONDARY MOUNT PIN		2
18	MFG0486	SECONDARY MOUNT OUTSIDE DOM		2
19	MFG0487	SECONDARY MOUNT INSIDE DOM		2
20	N&B4829	BOLT, 1/2-13 UNC X 3.5"		2
21	MFG0489	AIR TANK MOUNT GUSSET		4
22	MFG1415	AIR TANK MOUNTING PLATE 8"		2
23	AIC220TMP	AIR TANK MOUNTING PAD		2
24	N&B1550	LOCK NUT, 1/2-13 UNC		2
25	SUS16793-01	SUSPENSION MOUNTING BRACKET		2
26	MFG0490	UPPER HINGE TOP PLATE		2
27	MFG0491	UPPER HINGE SIDE PLATE		4
28	MFG0492	LOWER HINGE SIDE PLATE		4
29	MFG0125	LOWER HINGE DOM		4
30	MFG0124	HINGE WASHER		4
31	MFG0493	HINGE BASE PLATE		2
32	MFG0494	UPPER HINGE DOM		2
33	MICMC0001	HINGE PIN		2

HALF ROUND / ELLIPTICAL TRIPLE AXLE SUBFRAME H900 WITH RAR260



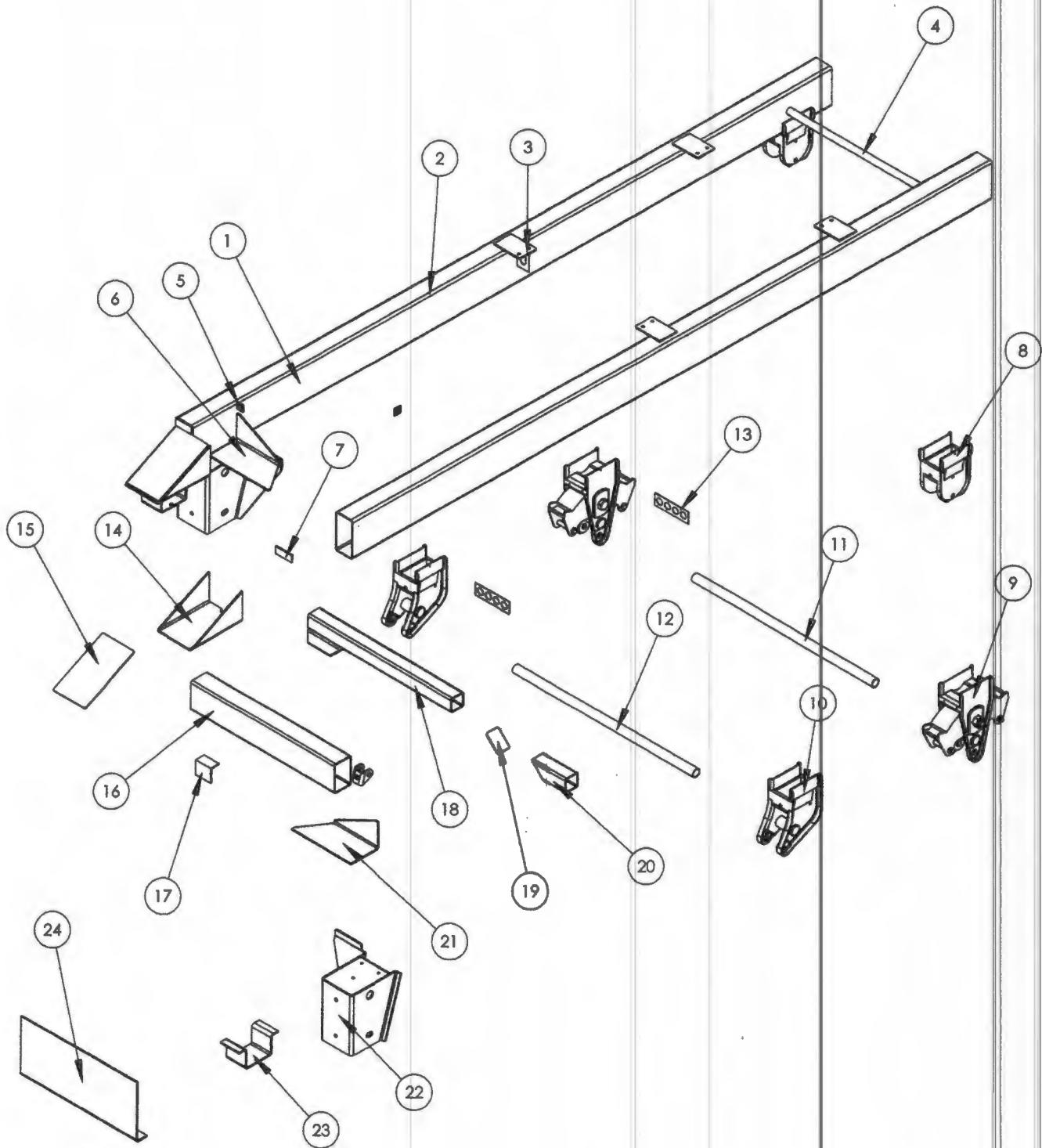
ITEM #	PART#	DESCRIPTION	QTY
1	MFG0727*	SUBFRAME I BEAM AIR RIDE AIR LIFT	2
1	MFG0726	SUBFRAME I BEAM AIR RIDE	2
2	MFG0769	I BEAM AIR BAG SUPPORT BRACE	2
3	MFG0756	REAR BOGEY POD SUPPORT BRACE RIGHT SIDE	1
4	MFG0768	I BEAM AIR RIDE SUPPORT BRACE	2
5	MFG2465	MINI BOGEY POD GUSSET	4
6	MFG1338	AIRBAG CROSSMEMBER GUSSET	2
7	MFG0758	SUBFRAME REAR LIGHT PLATE	1
8	MFG0731	SUBFRAME I BEAM FRONT CAP PLATE	2
9	MFG0729	4"X8" CROSS TUBE	2
10	MFG0728	SUSPENSION CLEARANCE NOTCH BLOCK OFF PLATE	2
11	MFG0486	5.5"X5.5" GUSSET	6
12	MFG0026	LONG BRAKE TANK BRACKET	4
13	ASY5186	MINI BOGEY POD ASSEMBLY	1
14	MFG0301	AIR BAG SUPPORT CROSSTUBE	1
15	MFG0586	AIRBAG CROSSMEMBER GUSSET CAP	2
16	MFG0553*	AIR LIFT SUPPORT PLATE	2
17	MFG0757	REAR BOGEY POD SUPPORT BRACE LEFT SIDE	1
18	MFG0299	RIGHT HAND PEDISTAL BRACE	1
19	MFG0300	LEFT HAND PEDISTAL BRACE	1
20	MFG0552*	AIR LIFT PEDISTAL BRACE	2
* DENOTES ITEMS ONLY USED IN AIR RIDE AIR LIFT SUBFRAME			

HALF ROUND / ELLIPTICAL FULL FRAME H900



ITEM #	PART#	DESCRIPTION	QTY
1	MFG0770	ELLIPTICAL FULL FRAME I BEAM 40' TUB	2
1	MFG0771	ELLIPTICAL FULL FRAME I BEAM 39' TUB	2
1	MFG0772	ELLIPTICAL FULL FRAME I BEAM 38' TUB	2
1	MFG0773	ELLIPTICAL FULL FRAME I BEAM 37' TUB	2
1	MFG0774	ELLIPTICAL FULL FRAME I BEAM 36' TUB	2
1	MFG0775	ELLIPTICAL FULL FRAME I BEAM 35' TUB	2
1	MFG0776	ELLIPTICAL FULL FRAME I BEAM 34' TUB	2
1	MFG0777	ELLIPTICAL FULL FRAME I BEAM 33' TUB	2
1	MFG0778	ELLIPTICAL FULL FRAME I BEAM 32' TUB	2
1	MFG0779	ELLIPTICAL FULL FRAME I BEAM 31' TUB	2
1	MFG0780	ELLIPTICAL FULL FRAME I BEAM 30' TUB	2
1	MFG0781	ELLIPTICAL FULL FRAME I BEAM 29' TUB	2
1	MFG0782	ELLIPTICAL FULL FRAME I BEAM 28' TUB	2
1	MFG0783	ELLIPTICAL FULL FRAME I BEAM 27' TUB	2
1	MFG0784	ELLIPTICAL FULL FRAME I BEAM 26' TUB	2
1	MFG0785	ELLIPTICAL FULL FRAME I BEAM 25' TUB	2
1	MFG0786	ELLIPTICAL FULL FRAME I BEAM 24' TUB	2
1	MFG0787	ELLIPTICAL FULL FRAME I BEAM 23' TUB	2
1	MFG0788	ELLIPTICAL FULL FRAME I BEAM 22' TUB	2
2	MFG0729	4" x 6" FRAME CROSS TUBE	*
3	MFG0473	4" X 8" SUSPENSION MOUNT CROSS TUBE	2
4	MFG0065	LICENSE PLATE BRACKET	1
5	MFG0471	LIGHT TUBE	1
6	MFG0493	HINGE BASE PLATE	2
7		FOR DETAILS SEE QUARTER FRAME SUBFRAME SHEET	
8	MFG0055	AIRLINE AND WIRE LOOM	3
9	MFG0479	OUTSIDE HINGE CHANNEL LEFT	1
10	MFG0477	INSIDE HINGE CHANNEL RIGHT	1
11	MFG0480	SUSPENSION SUPPORT CHANNEL	2
12	MFG0476	INSIDE HINGE CHANNEL LEFT	1
13	MFG0488	5.5" GUSSET	2
14	MFG0026	AIR TANK MOUNTING PLATE	2
15	MFG0763	LANDING GEAR MOUNTING PLATE	2
16	MFG0767	5TH WHEEL BEAM FLANGE	2
17	MFG0730	3" X 5" 5TH WHEEL PLATE CROSS TUBE	3
18	MFG0760	FRONT UTILITIES CHANNEL	1
19	ASY5029	LOWER CYLINDER MOUNT	2
20	MFG0764	KING PIN RETAINER PLATE	1
21	MFG0765	LOWER CYLINDER MOUNT PLATE	1
22	MFG0762	LOWER CYLINDER MOUNT SUPPORT TUBES	2
23	MFG0761	KING PIN SUPPORT TUBES	2
24	MIC2084194	KING PIN	1
25	MFG0766	5TH WHEEL PLATE	1
26	MFG0478	OUTSIDE HINGE CHANNEL RIGHT	0
27	MFG2200	WELD ON CABLE CLAMP	*
28	MFG0067	SUSPENSION TUBE GUSSET	4
* QTY DEPENDS ON LENGTH OF FRAME			

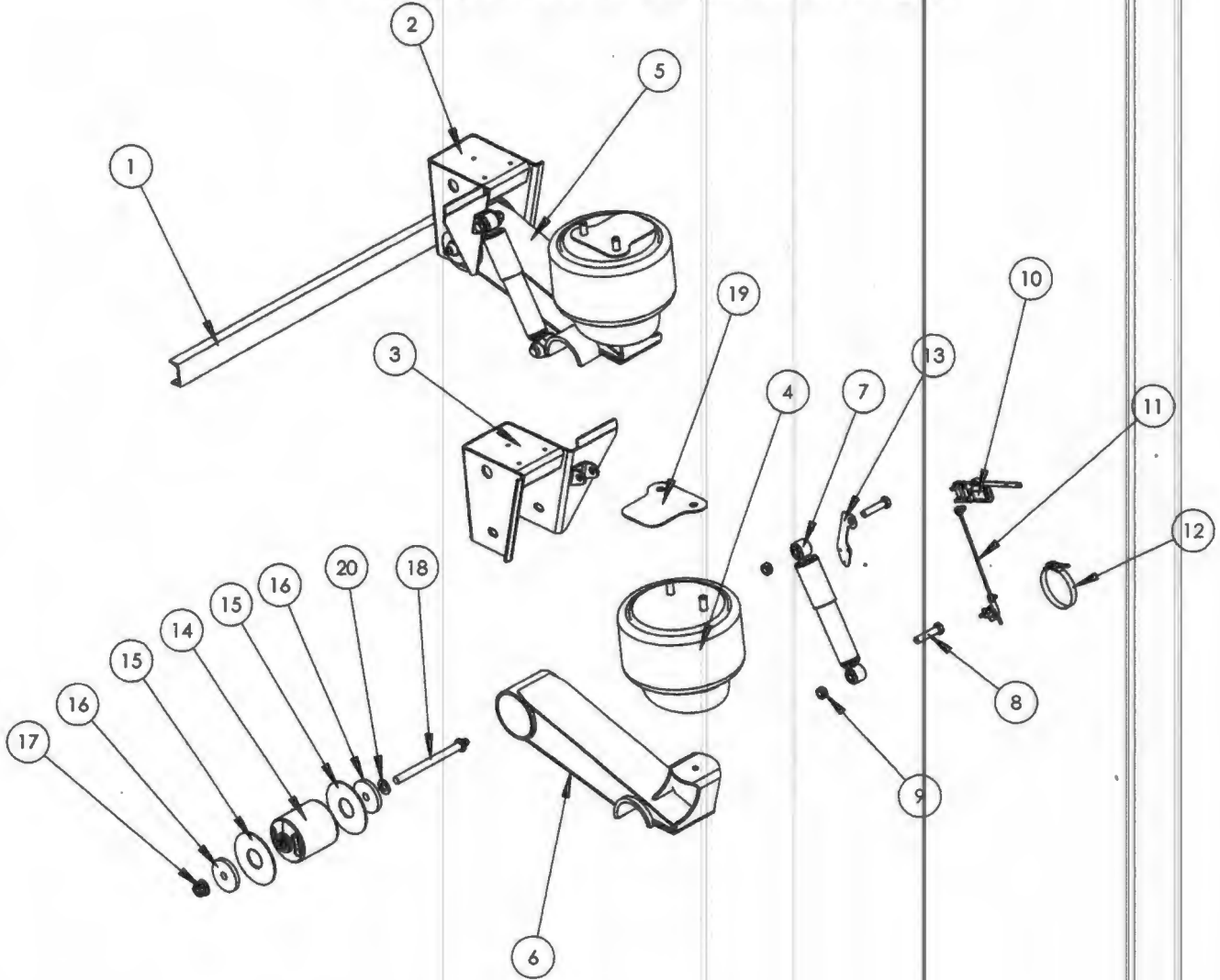
BOTTOM DUMP TRIPLE AXLE SUBFRAME RAR260 AIR RIDE AIR LIFT FRONT 9700 REAR TANDEM



BOTTOM DUMP TRIPLE AXLE SUBFRAME AIR RIDE AIR LIFT FRONT 9700 REAR TANDEM

ITEM #	PART#	DESCRIPTION	QTY
1	MFG0584	FRAME TUBE 4"X8"	2
2	MFG0026	BRAKE TANK BRACKET	4
3	MFG0055	OVAL LOOM	1
4	MFG0028	REAR SUBFRAME CROSS TUBE 1.5" SCH 40	1
5	MFG0532	SINGLE HOLE LOOM	1
6	MFG0530	AIR RIDE PEDISTAL RIGHT	1
7	MFG0593	FRAME TUBE SMALL CAP	2
8	SUS7703-01	REAR SUSPENSION SPRING HANGER	2
9	SUS16319-01	ROCKER HANGER ASSEMBLY	2
10	SUS7701-01	FRONT SUSPENSION SPRING HANGER	2
11	MFG0496	ROCKER HANGER CROSS TUBE	1
12	MFG0027	FRONT HANGER CROSS TUBE	1
13	MFG0029	4 HOLE LOOM	2
14	MFG0590	AIR LIFT LIFT BAG GUSSET	2
15	MFG0591	AIR LIFT LIFT BAG GUSSET CLOSE OFF PLATE	2
16	MFG0529	AIR RIDE FRONT CROSSMEMBER 4"X6"	1
17	MFG0592	QUICK EXHAUST VALVE MOUNTING BRACKET	1
18	MFG0528	AIR BAG SUPPORT CROSSMEMBER	1
19	MFG0586	AIR BAG SUPPORT GUSSET CAP	2
20	MFG0587	AIR BAG SUPPORT GUSSET	2
21	MFG0531	AIR RIDE PEDISTAL LEFT	1
22	SUS260188	AIR RIDE SUSPENSION HANGER RIGHT	1
23	SUS260189	AIR RIDE SUSPENSION HANGER LEFT	1
24		LIFT BAG RISER BRACKET	2
25	MFG0589	AIR RIDE AIR LIFT HANGER BRACE (FRONT LIFT AXLE)	1

RAR260 AIR RIDE SUSPENSION

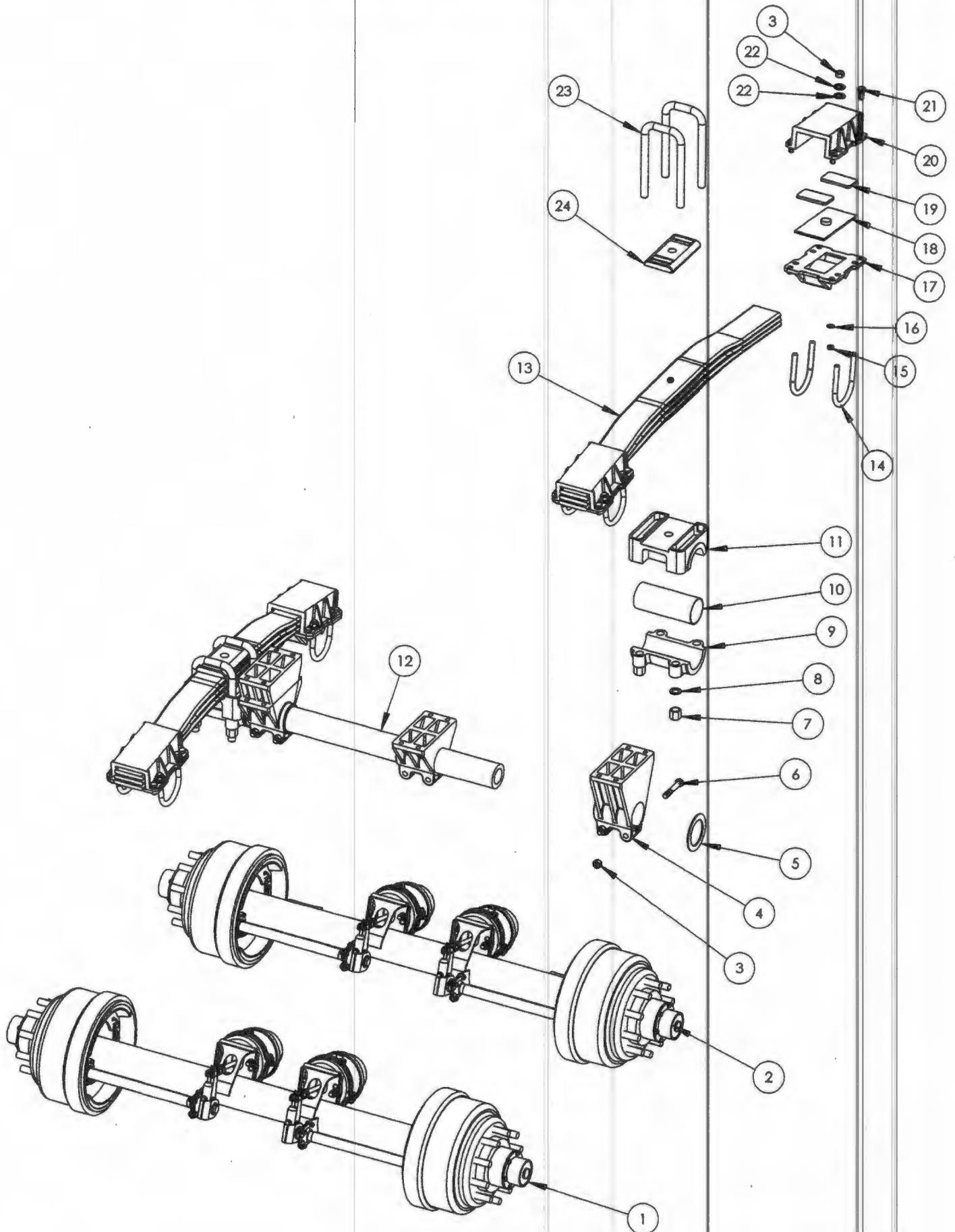


ITEM #	PART#	DESCRIPTION	QTY
1	MFG0534	96" HANGER BRACE	1
1	MFG0540	102" HANGER BRACE	1
2	SUS3260189	HANGER ASSEMBLY RIGHT SIDE	1
3	SUS3260188	HANGER ASSEMBLY LEFT SIDE	1
4	SUS1000156	AIR SPRING	2
5	SUS4280257	BEAM ASSEMBLY RIGHT SIDE	1
6	SUS4280256	BEAM ASSEMBLY LEFT SIDE	1
7	SUS1270563B003	SHOCK ABSORBER	2
8	SUS114736B105	3/4-10 NC X 3" BOLT GRADE 5	2
9	SUS1150023	3/4-10 NC LOCK NUT GRADE 5	2
	SUS6301BFAJ31	RIDE HEIGHT CONTROL VALVE KIT (ITEMS:10-13)	1
10		RIDE HEIGHT CONTROL VALVE	
11		LINKAGE KIT HEIGHT CONTROL VALVE	1
12		RIDE HEIGHT CONTROL LOWER PIN CLAMP	2
13		RIDE HEIGHT CONTROL VALVE BRACKET	2
14	SUS1110084	BUSHING	2
15	SUS1160021	WEAR WASHER	4
16	SUS7002249	ALIGNMENT WASHER	4
17	SUS1150032	LOCK NUT 7/8"-9NC	2
18	SUS1140019	PIVOT BOLT 7/8"-9NC X 9-5/8" GRADE 8	1
19	SUS7000894	AIR SPRING MOUNTING PLATE	2
20	SUS1160868B100	WASHER 7/8" A-325 FLAT ZINC PLATE	

CONSTRUCTION TRAILER SPECIALISTS, INC.

PAGE LEFT BLANK

H900 SINGLE POINT SUSPENSION



H900 SINGLE POINT SUSPENSION

ITEM #	PART#	DESCRIPTION	QTY
1	AXLTQ4670QH5947	FRONT AXLE	1
2	AXLTQ4671QH5949	REAR AXLE	1
3	SUS841-00	LOCKNUT, 3/4-16 UNF	20
4	SUS10476-03	4.5" TRUNION HANGER USED ON SUBFRAME TYPES	2
4	SUS897-01	8.5" TRUNION HANGER USED ON BOGEY POD TYPES	2
5	SUS895-00	TRUNION WASHER	2
6	SUS10376-00	BOLT, 3/4-16 UNF X 4.5" GR5	4
7	SUS836-00	NUT, 1 1/8-12 UNF X 1.5" THICK	8
8	SUS837-00	WASHER, 1 1/4"ID X 2 1/4"OD X 1/8" THICK	8
9	SUS898-00	LOWER TRUNION HUB	2
10	SUS23276-01	TRUNION BUSHING, FREE OSCILLATING	2
11	SUS891-00	UPPER TRUNION HUB	2
12	SUS893-25	102" TRUNION TUBE	1
12	SUS893-02	96" TRUNION TUBE	1
13	SUS12258-01	SPRING	2
14	SUS10060-01	AXLE U-BOLT	8
15	SUS11513-03	LOCKNUT, 5/8-18 UNF	16
16	SUS10273-00	WASHER, 2 1/32" OD X 1 15/16" ID X 1/8"	16
17	SUS9934-02	SPRING SEAT	4
18	SUS10608-00	ADJUSTMENT PLATE	4
19	SUS814-00	RUBBER PAD	8
20	SUS9937-00	SPRING END CAP	4
21	SUS9293-00	BOLT, 5/8-18 UNF X 2", GR5	16
22	SUS817-00	WASHER, 13/16"ID X 1 1/2"OD X 1/8"	32